



Retrofit option

## ON Krangestell DV-4L

Observe additional system documents!

# General instructions

## CAUTION



### **Read the operating instructions!**

**The operating instructions provide an introduction to the safe use of the products.**

- Read the operating instructions for all system components!
- Observe accident prevention regulations!
- Observe all local regulations!
- Confirm with a signature where appropriate.

## NOTE



**In the event of queries on installation, commissioning, operation or special conditions at the installation site, or on usage, please contact your sales partner or our customer service department on +49 2680 181-0.**

**A list of authorised sales partners can be found at [www.ewm-group.com](http://www.ewm-group.com).**

Liability relating to the operation of this equipment is restricted solely to the function of the equipment. No other form of liability, regardless of type, shall be accepted. This exclusion of liability shall be deemed accepted by the user on commissioning the equipment.

The manufacturer is unable to monitor whether or not these instructions or the conditions and methods are observed during installation, operation, usage and maintenance of the equipment.

An incorrectly performed installation can result in material damage and injure persons as a result. For this reason, we do not accept any responsibility or liability for losses, damages or costs arising from incorrect installation, improper operation or incorrect usage and maintenance or any actions connected to this in any way.

---

# 1 Contents

<b>1</b>	<b>Contents</b> .....	<b>3</b>
<b>2</b>	<b>Overview</b> .....	<b>4</b>
2.1	For your safety .....	4
2.2	Intended use .....	5
2.3	Short description of the working steps required .....	5
2.4	Diagram of the assembled option .....	6
2.5	Re-equipment set.....	7
<b>3</b>	<b>Design and function</b> .....	<b>8</b>
3.1	Removing the old wire spool casing cover .....	8
3.2	Removing the machine feet .....	9
3.3	Fitting the pipe bracket .....	10
3.4	Prepare the wire spool casing cover.....	11
3.5	Fitting the wire spool casing cover.....	12
3.6	Securing the wire spool casing cover when changing the wire spool .....	13
3.7	Safety rules while lifting .....	14
<b>4</b>	<b>Final assembly</b> .....	<b>15</b>
<b>5</b>	<b>Appendix A</b> .....	<b>16</b>

## 2 Overview

### 2.1 For your safety



#### DANGER



**Do not carry out any unauthorised repairs or modifications!**

**To avoid injury and equipment damage, the unit must only be repaired or modified by specialist, skilled persons!**

**The warranty becomes null and void in the event of unauthorised interference.**

- Appoint only skilled persons for repair work (trained service personnel)!



#### WARNING



**Risk of accidents if these safety instructions are not observed!**

**Non-observance of these safety instructions is potentially fatal!**

- Carefully read the safety information in this manual!
- Observe the accident prevention regulations in your country.
- Inform persons in the working area that they must observe the regulations!



**Validity of this document!**

**This document is only valid in combination with the operating instructions for the power source being used (welding machine)!**

- Read the operating instructions, in particular the safety instructions for the power source (welding machine)!

#### CAUTION



**Obligations of the operator!**

**The respective national directives and laws must be observed for operation of the machine!**

- National implementation of the framework directive (89/391/EEG), as well as the associated individual directives.
- In particular, directive (89/655/EEG), on the minimum regulations for safety and health protection when staff members use equipment during work.
- The regulations regarding work safety and accident prevention for the respective country.
- Setting up and operating the machine according to IEC 60974-9.
- Check at regular intervals that users are working in a safety-conscious way.
- Regular checks of the machine according to IEC 60974-4.

## 2.2 Intended use

### WARNING



#### **Hazards due to improper usage!**

**Hazards may arise for persons, animals and material objects if the equipment is not used correctly. No liability is accepted for any damages arising from improper usage!**

- The equipment must only be used in line with proper usage and by trained or expert staff!
- Do not modify or convert the equipment improperly!

These instructions apply only for the conversion of the following machines:

- Phoenix Drive 4L and Tetrax Drive 4L wire feed unit series

It describes how to convert the machine in order to use it on a suitable crane suspension.

### NOTE



**Simultaneous use with the listed options is not intended and is therefore not permissible!**

- ON RMSDV2 (090-008151-00000)
- ON RADMONTAGESATZ DRIVE 4L (090-008169-00000)
- ON KRAN DRIVE 4L (092-002540-00000)

## 2.3 Short description of the working steps required

- Remove wire spool casing cover.
- Remove machine feet.
- Screw pipe bracket to the wire feed unit.
- Fit the new wire spool casing cover.

## 2.4 Diagram of the assembled option

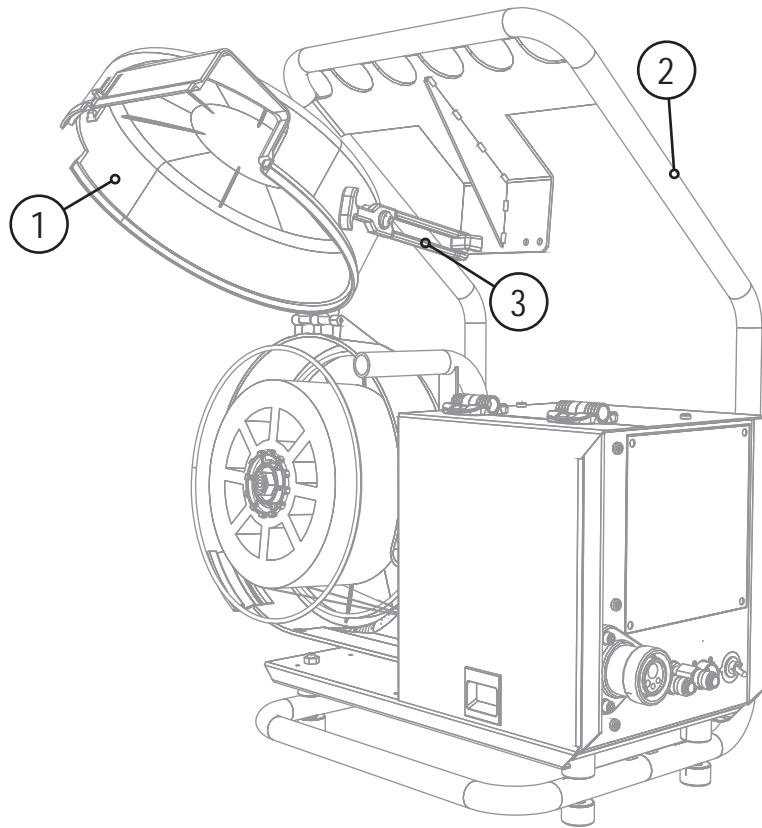


Figure 2-1

Item	Symbol	Description
1		Wire spool casing cover
2		Pipe bracket
3		Clamp lock For fixing the wire spool casing cover during servicing

 **WARNING**



**Danger of injury!**

The wire spool casing cover protects the wire from soiling and, at the same time, it prevents the wire spool from falling out.

- Close wire spool casing cover and make sure that it is securely engaged before use!

## 2.5 Re-equipment set

**NOTE**

Before conversion, check that the retrofit kit is complete (see parts list).

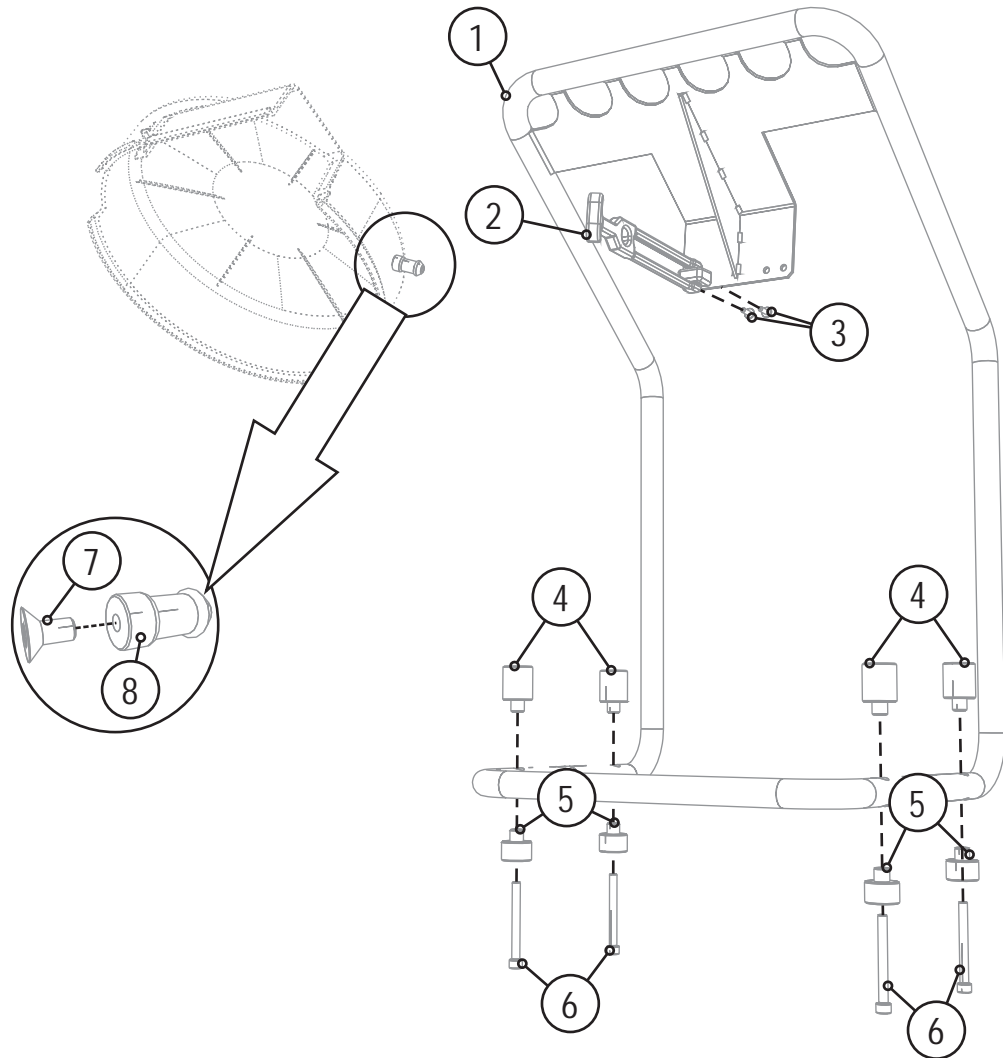


Figure 2-2

Item	Quantity	Description	Item number
1	1	Pipe bracket	094-013993-00000
2	1	Tension closure	094-014517-00000
3	2	Torx screw, M5 x 14 mm	094-012942-00000
4	4	Insulation piece	094-015654-00000
5	4	Insulation piece, short	094-013989-00000
6	4	Cylinder head screw, M8 x 75 mm	094-015643-00000
7	1	countersunk head screw, M6x12 DIN 7991	094-010037-00000
8	1	Tension closure holder	094-014501-00000

## 3 Design and function

### 3.1 Removing the old wire spool casing cover

#### WARNING



**Danger of injury!**

Because it is very heavy, the wire spool represents a danger with the subsequent work-steps.

- Remove the wire spool before conversion!

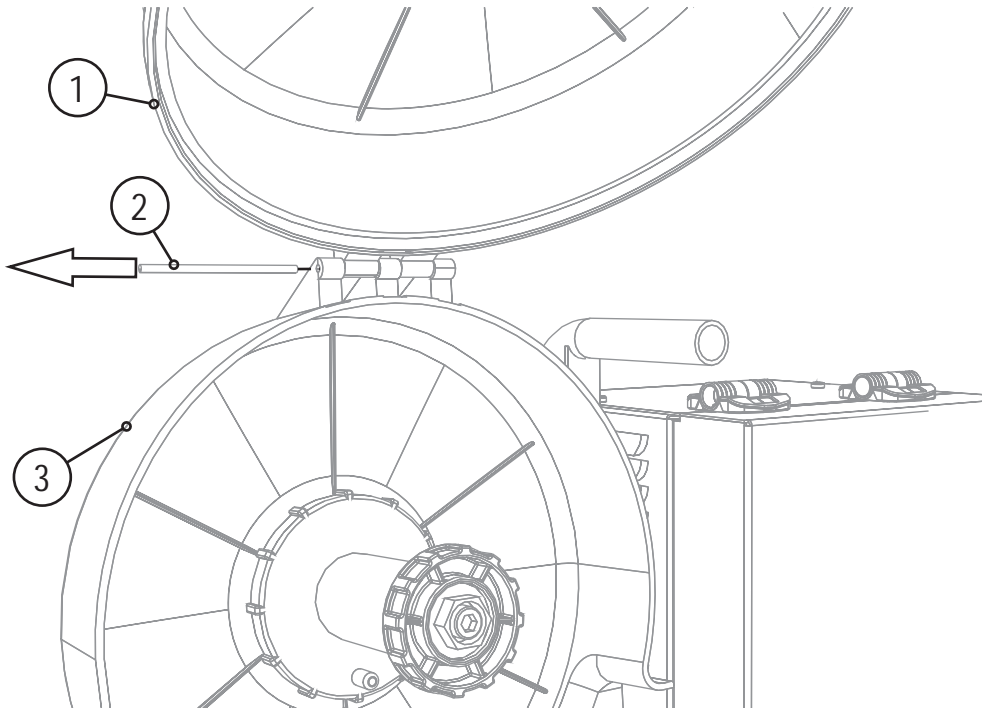


Figure 3-1

Item	Symbol	Description
1		Wire spool casing cover
2		Cylinder pin
3		Wire spool casing

- Remove cylinder pin and take off the wire spool casing cover.



### 3.2 Removing the machine feet

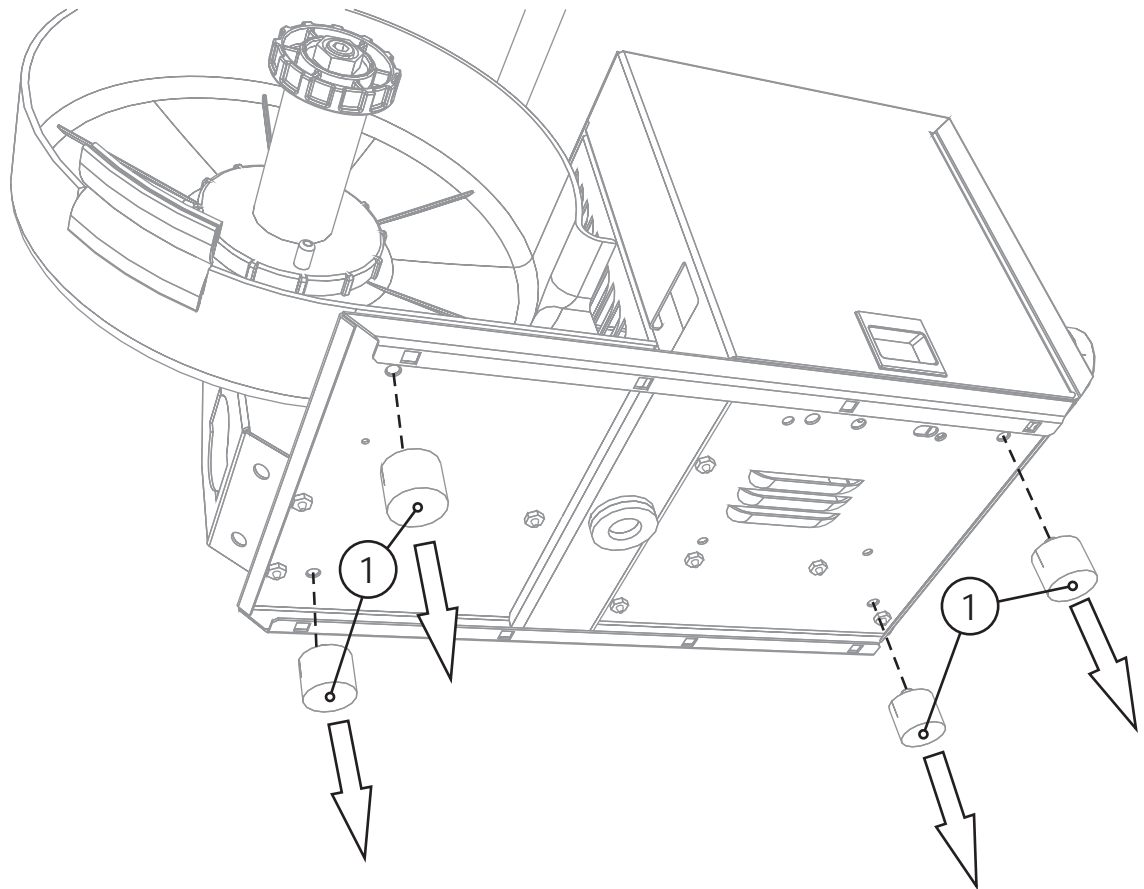


Figure 3-2

Item	Symbol	Description
1		Machine feet

- Unscrew and remove the machine feet.

### 3.3 Fitting the pipe bracket

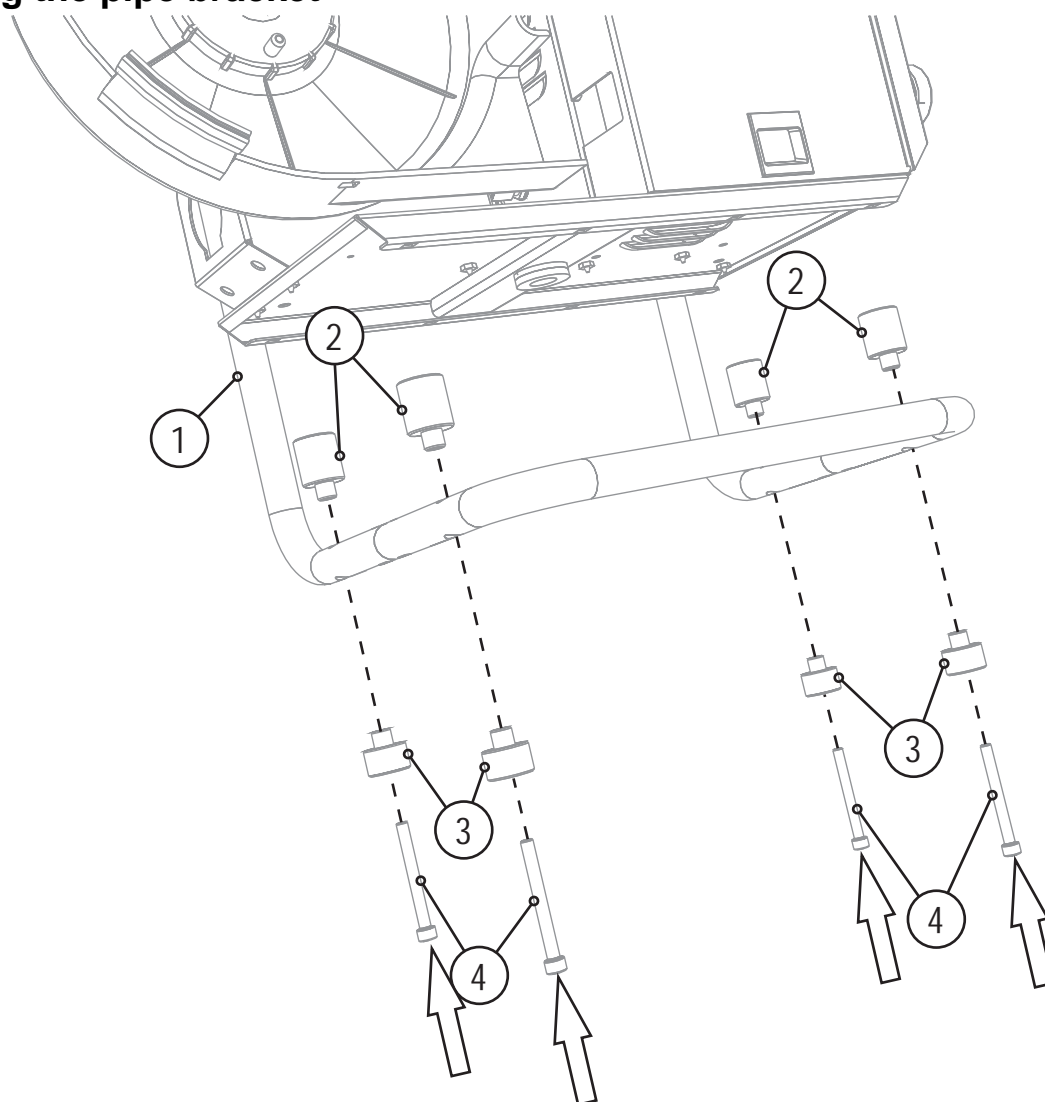


Figure 3-3

Item	Symbol	Description
1		Pipe bracket
2		Insulation piece
3		Insulation piece, short
4		Cylinder head screw

- Insert the cylinder head screw through the short insulation piece, the pipe bracket and the insulation piece and screw to the base of the machine.

### 3.4 Prepare the wire spool casing cover

#### NOTE

 To fit the tension closure holder on the wire spool casing cover a bore in the wire spool casing cover is to be placed. Use the plan in the Appendix.

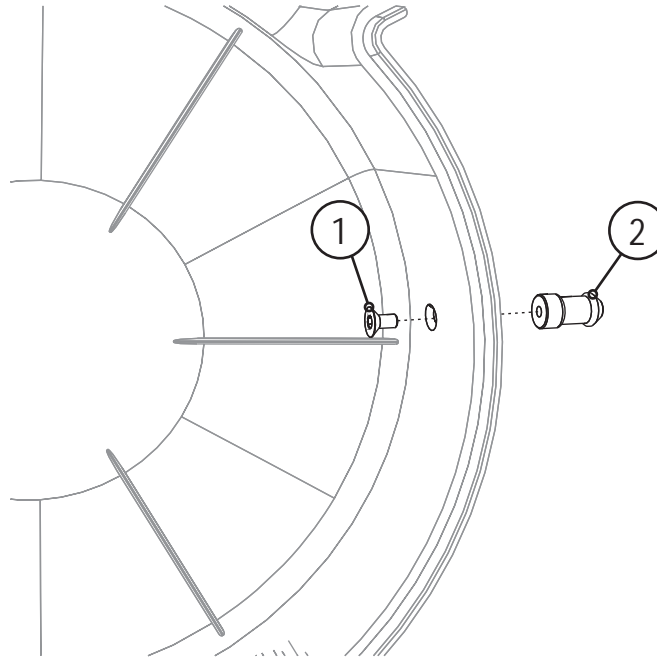


Figure 3-4

Item	Symbol	Description
1		Countersunk head screw
2		Tension closure holder

## 3.5 Fitting the wire spool casing cover

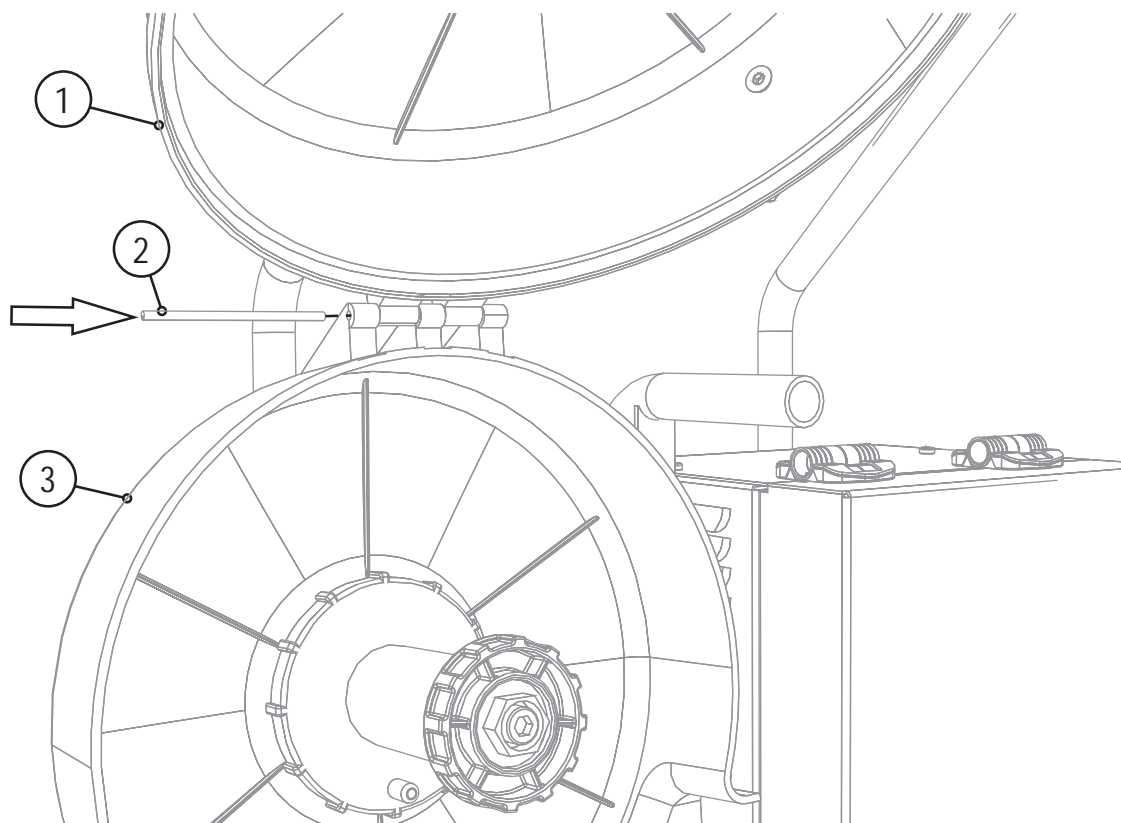


Figure 3-5

Item	Symbol	Description
1		Wire spool casing cover
2		Cylinder pin
3		Wire spool casing

- Position the wire spool casing cover and secure with the cylinder pin.

### 3.6 Securing the wire spool casing cover when changing the wire spool

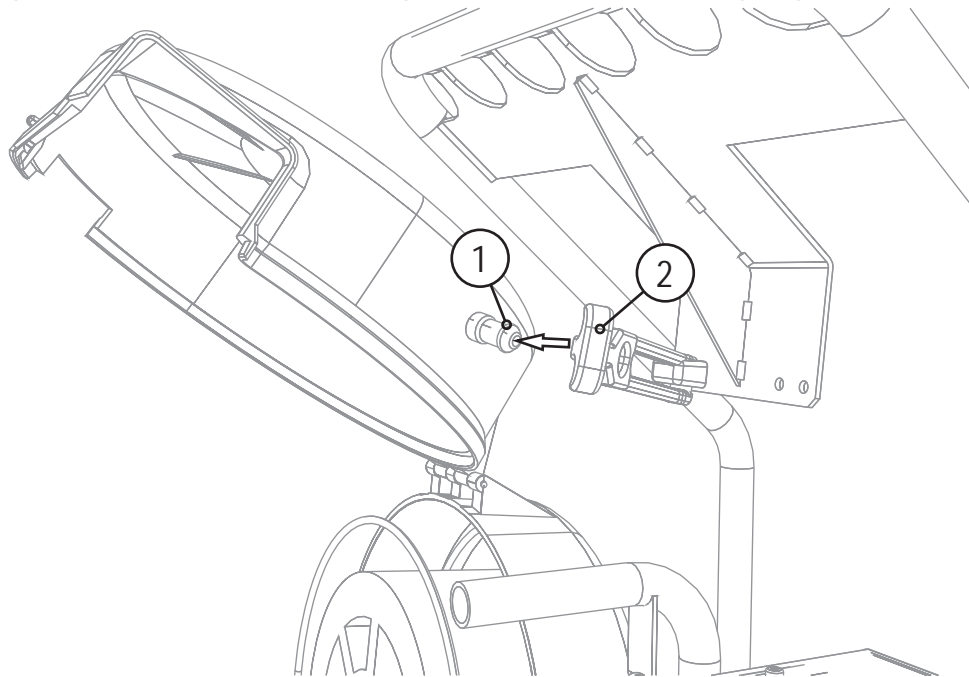


Figure 3-6

Item	Symbol	Description
1		<b>Tension closure holder</b>
2		<b>Clamp lock</b> For fixing the wire spool casing cover during servicing

- Secure open wire spool casing cover with the tension closure.

## 3.7 Safety rules while lifting

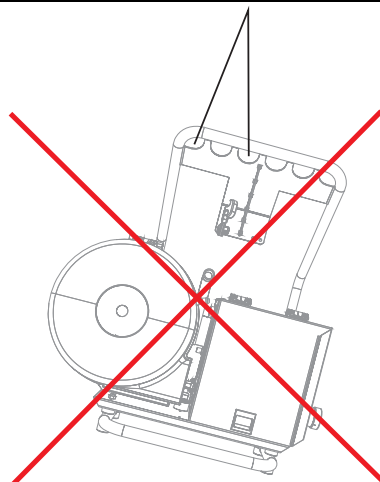
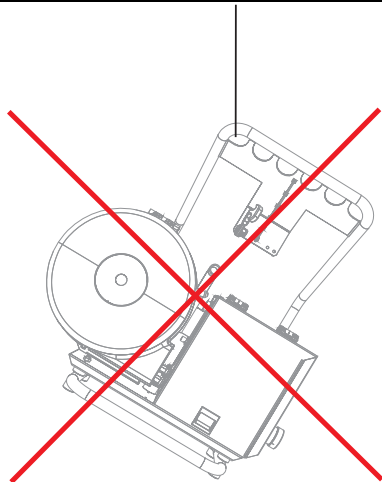
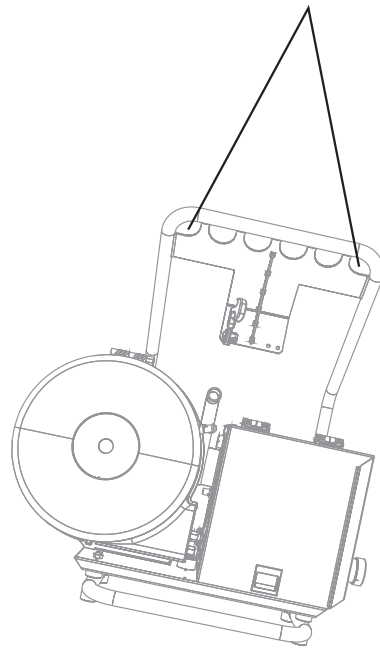
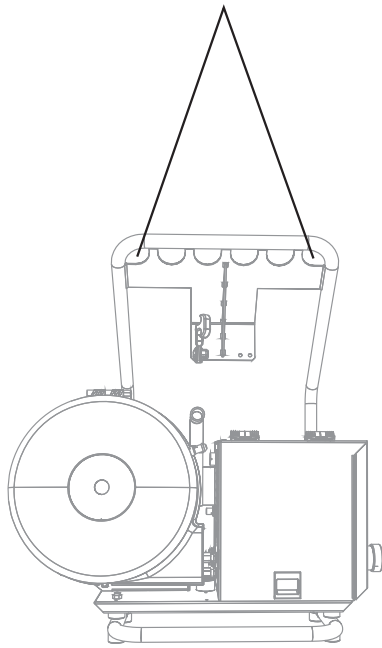
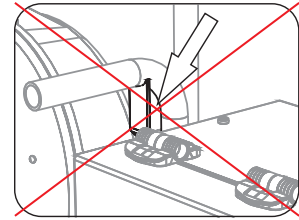
### DANGER



**Risk of injury when the wrong lifting lugs are used!**  
When upgrading the machine with the crane option, additional lifting lugs are installed. These lifting lugs replace the existing lugs.

**If you use the existing lifting lugs for lifting by crane, the machine can topple and cause accidents!**

- When the crane option is installed, only use the lifting lugs of the installed frame to lift the machine!



### DANGER



**Risk of injury during lifting by crane!**

**When lifting the equipment by crane, serious injuries can be inflicted by falling equipment or add-on units.**

- Always use two lifting lugs positioned as far apart as possible!
- Ensure that the load is distributed as evenly as possible!
- Avoid jerky movements when raising or lowering!
- Use adequately sized chains or suspension ropes as well as shackles and load hooks!

## 4 Final assembly

### WARNING



**Danger due to failure to carry out the final inspection!**

**Parts that are incorrectly fitted or that become loose are a source of danger.**

- Check all mechanical connections to ensure that they are fitted correctly!
- Carry out the final inspection!
- Carry out the functional test!

### NOTE



- **Keep the conversion instructions with the machine documentation!**
- **When ordering spare parts, ensure that the item number and serial number of the machine are quoted!**

**5 Appendix A**

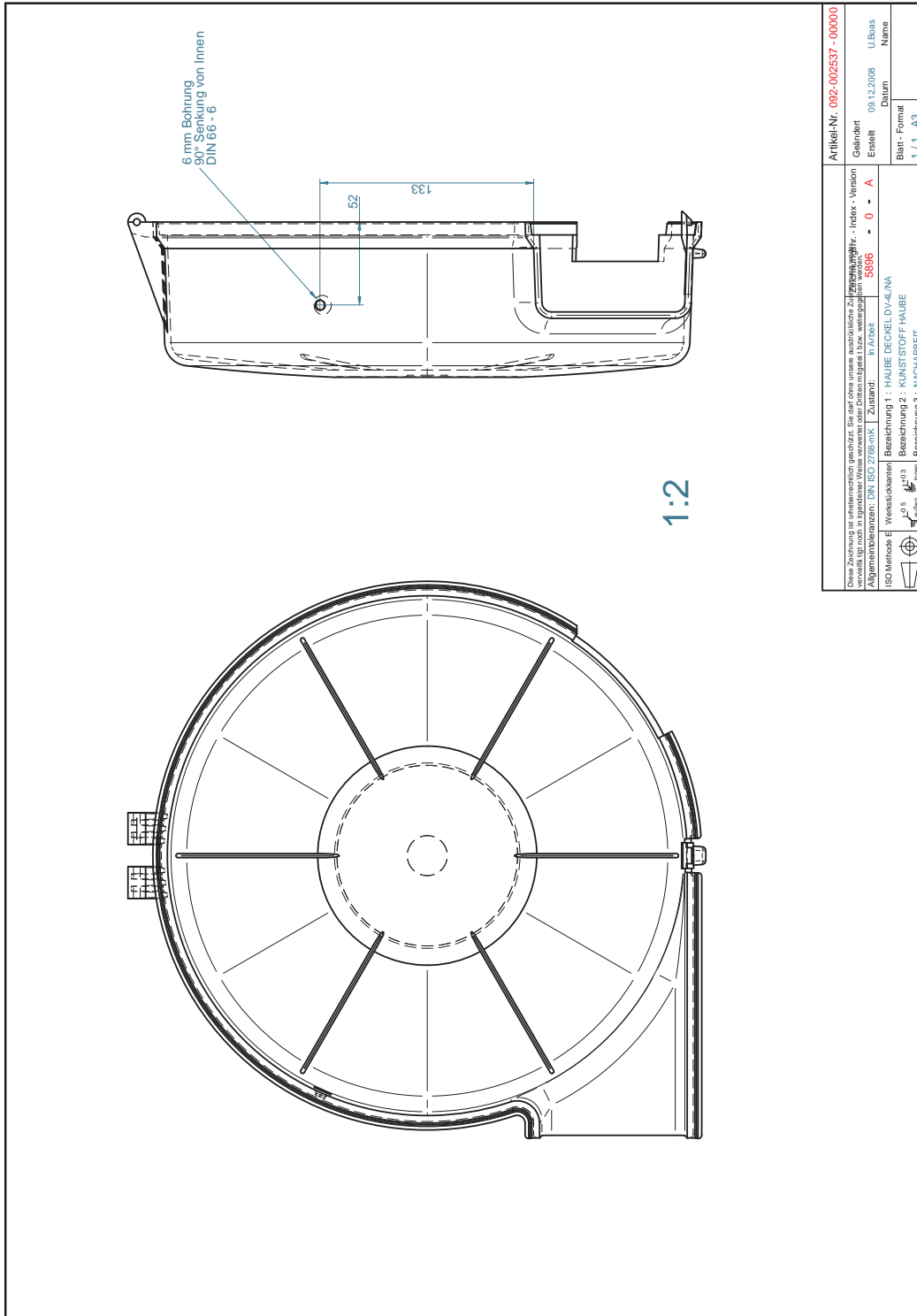


Figure 5-1