



EN

Air-cooling units for water-cooled welding torches

Cool XQ 40
Cool XQ 40 MV

099-005632-EW501

Observe additional system documents!

20.09.2021

**Register now
and benefit!
Jetzt Registrieren
und Profitieren!**

www.ewm-group.com



General instructions

WARNING



Read the operating instructions!

The operating instructions provide an introduction to the safe use of the products.

- Read and observe the operating instructions for all system components, especially the safety instructions and warning notices!
- Observe the accident prevention regulations and any regional regulations!
- The operating instructions must be kept at the location where the machine is operated.
- Safety and warning labels on the machine indicate any possible risks. Keep these labels clean and legible at all times.
- The machine has been constructed to state-of-the-art standards in line with any applicable regulations and industrial standards. Only trained personnel may operate, service and repair the machine.
- Technical changes due to further development in machine technology may lead to a differing welding behaviour.

In the event of queries on installation, commissioning, operation or special conditions at the installation site, or on usage, please contact your sales partner or our customer service department on +49 2680 181-0.

A list of authorised sales partners can be found at www.ewm-group.com/en/specialist-dealers.

Liability relating to the operation of this equipment is restricted solely to the function of the equipment. No other form of liability, regardless of type, shall be accepted. This exclusion of liability shall be deemed accepted by the user on commissioning the equipment.

The manufacturer is unable to monitor whether or not these instructions or the conditions and methods are observed during installation, operation, usage and maintenance of the equipment.

An incorrectly performed installation can result in material damage and injure persons as a result. For this reason, we do not accept any responsibility or liability for losses, damages or costs arising from incorrect installation, improper operation or incorrect usage and maintenance or any actions connected to this in any way.

© EWM AG

Dr. Günter-Henle-Strasse 8

56271 Mündersbach Germany

Tel.: +49 2680 181-0, Fax: -244

Email: info@ewm-group.com

www.ewm-group.com

The copyright to this document remains the property of the manufacturer.

Copying, including extracts, only permitted with written approval.

The content of this document has been prepared and reviewed with all reasonable care. The information provided is subject to change; errors excepted.

Data security

The user is responsible for backing up data of all changes from the factory setting. The user is liable for erased personal settings. The manufacturer does not assume any liability for this.

1 Contents

1 Contents	3
2 For your safety	4
2.1 Notes on using these operating instructions.....	4
2.2 Explanation of icons.....	5
2.3 Safety instructions.....	6
2.4 Transport and installation	9
3 Intended use	11
3.1 Applications.....	11
3.2 Use and operation solely with the following machines	11
3.3 Documents which also apply	12
3.3.1 Warranty	12
3.3.2 Declaration of Conformity.....	12
3.3.3 Service documents (spare parts and circuit diagrams).....	12
3.3.4 Part of the complete documentation.....	13
4 Machine description – quick overview	14
4.1 Front view / rear view.....	14
5 Design and function	16
5.1 Connect the cooling unit to the power source	16
5.2 Transport and installation	18
5.2.1 Machine cooling.....	18
5.2.2 Ambient conditions	18
5.2.3 Welding torch cooling system.....	19
5.2.3.1 Functional characteristics	19
5.2.3.2 Permitted torch coolant	19
5.2.3.3 Maximal hose package length	19
5.2.3.4 Adding coolant	20
5.2.4 Welding torch connection	21
6 Maintenance, care and disposal	22
6.1 General	22
6.2 Explanation of icons.....	23
6.3 Maintenance schedule	24
6.3.1 Coolant error.....	25
6.3.2 Dirt filter	26
6.3.3 Power source (inverter)	27
6.3.4 Heat exchanger (torch cooling)	29
6.3.5 Annual test (inspection and testing during operation).....	30
6.4 Disposing of equipment	30
7 Rectifying faults	31
7.1 Checklist for rectifying faults	31
7.2 Vent coolant circuit.....	32
7.3 Fixing the pump shaft (coolant circuit).....	33
8 Technical data	34
8.1 Cool XQ 40	34
9 Accessories	35
9.1 Welding torch cooling system	35
9.1.1 Coolant - type blueCool.....	35
9.1.2 Coolant - type KF.....	35
9.2 Options.....	35
9.3 Transport system	35
10 Appendix	36
10.1 Searching for a dealer.....	36

2 For your safety

2.1 Notes on using these operating instructions

DANGER

Working or operating procedures which must be closely observed to prevent imminent serious and even fatal injuries.

- Safety notes include the "DANGER" keyword in the heading with a general warning symbol.
- The hazard is also highlighted using a symbol on the edge of the page.

WARNING

Working or operating procedures which must be closely observed to prevent serious and even fatal injuries.

- Safety notes include the "WARNING" keyword in the heading with a general warning symbol.
- The hazard is also highlighted using a symbol in the page margin.

CAUTION

Working or operating procedures which must be closely observed to prevent possible minor personal injury.

- The safety information includes the "CAUTION" keyword in its heading with a general warning symbol.
- The risk is explained using a symbol on the edge of the page.



Technical aspects which the user must observe to avoid material or equipment damage.

Instructions and lists detailing step-by-step actions for given situations can be recognised via bullet points, e.g.:

- Insert the welding current lead socket into the relevant socket and lock.

2.2 Explanation of icons

Symbol	Description	Symbol	Description
	Indicates technical aspects which the user must observe.		Activate and release / Tap / Tip
	Switch off machine		Release
	Switch on machine		Press and hold
			Switch
	Incorrect / Invalid		Turn
	Correct / Valid		Numerical value – adjustable
	Input		Signal light lights up in green
	Navigation		Signal light flashes green
	Output		Signal light lights up in red
	Time representation (e.g.: wait 4 s / actuate)		Signal light flashes red
	Interruption in the menu display (other setting options possible)		
	Tool not required/do not use		
	Tool required/use		

2.3 Safety instructions

WARNING



Risk of accidents due to non-compliance with the safety instructions!

Non-compliance with the safety instructions can be fatal!

- Carefully read the safety instructions in this manual!
- Observe the accident prevention regulations and any regional regulations!
- Inform persons in the working area that they must comply with the regulations!



Risk of injury from electrical voltage!

Voltages can cause potentially fatal electric shocks and burns on contact. Even low voltages can cause a shock and lead to accidents.

- Never touch live components such as welding current sockets or stick, tungsten or wire electrodes!
- Always place torches and electrode holders on an insulated surface!
- Wear the full personal protective equipment (depending on the application)!
- The machine may only be opened by qualified personnel!
- The device must not be used to defrost pipes!



Hazard when interconnecting multiple power sources!

If a number of power sources are to be connected in parallel or in series, only a technical specialist may interconnect the sources as per standard IEC 60974-9:2010: Installation and use and German Accident Prevention Regulation BVG D1 (formerly VBG 15) or country-specific regulations.

Before commencing arc welding, a test must verify that the equipment cannot exceed the maximum permitted open circuit voltage.

- Only qualified personnel may connect the machine.
- When taking individual power sources out of operation, all mains and welding current leads must be safely disconnected from the welding system as a whole. (Hazard due to reverse polarity voltage!)
- Do not interconnect welding machines with pole reversing switch (PWS series) or machines for AC welding since a minor error in operation can cause the welding voltages to be combined, which is not permitted.



Risk of injury due to radiation or heat!

Arc radiation can lead to skin and eye injuries.

Contact with hot workpieces and sparks can lead to burns.

- Use hand shield or welding helmet with the appropriate safety level (depends on the application).
- Wear dry protective clothing (e.g. hand shield, gloves, etc.) in accordance with the applicable regulations of your country.
- Persons who are not directly involved should be protected with a welding curtain or suitable safety screen against radiation and the risk of blinding!

⚠ WARNING**Risk of injury due to improper clothing!**

During arc welding, radiation, heat and voltage are sources of risk that cannot be avoided. The user has to be equipped with the complete personal protective equipment at all times. The protective equipment has to include:

- Respiratory protection against hazardous substances and mixtures (fumes and vapours); otherwise implement suitable measures such as extraction facilities.
- Welding helmet with proper protection against ionizing radiation (IR and UV radiation) and heat.
- Dry welding clothing (shoes, gloves and body protection) to protect against warm environments with conditions comparable to ambient temperatures of 100 °C or higher and arcing and work on live components.
- Hearing protection against harming noise.

**Explosion risk!**

Apparently harmless substances in closed containers may generate excessive pressure when heated.

- Move containers with inflammable or explosive liquids away from the working area!
- Never heat explosive liquids, dusts or gases by welding or cutting!

**Fire hazard!**

Due to the high temperatures, sparks, glowing parts and hot slag that occur during welding, there is a risk of flames.

- Be watchful of potential sources of fire in the working area!
- Do not carry any easily inflammable objects, e.g. matches or lighters.
- Ensure suitable fire extinguishers are available in the working area!
- Thoroughly remove any residue of flammable materials from the workpiece prior to starting to weld.
- Only further process workpieces after they have cooled down. Do not allow them to contact any flammable materials!

⚠ CAUTION



Smoke and gases!

Smoke and gases can lead to breathing difficulties and poisoning. In addition, solvent vapour (chlorinated hydrocarbon) may be converted into poisonous phosgene due to the ultraviolet radiation of the arc!

- Ensure that there is sufficient fresh air!
- Keep solvent vapour away from the arc beam field!
- Wear suitable breathing apparatus if appropriate!



Noise exposure!

Noise exceeding 70 dBA can cause permanent hearing damage!

- Wear suitable ear protection!
- Persons located within the working area must wear suitable ear protection!



According to IEC 60974-10, welding machines are divided into two classes of electromagnetic compatibility (the EMC class can be found in the Technical data) > see 8 chapter:



Class A machines are not intended for use in residential areas where the power supply comes from the low-voltage public mains network. When ensuring the electromagnetic compatibility of class A machines, difficulties can arise in these areas due to interference not only in the supply lines but also in the form of radiated interference.



Class B machines fulfil the EMC requirements in industrial as well as residential areas, including residential areas connected to the low-voltage public mains network.

Setting up and operating

When operating arc welding systems, in some cases, electro-magnetic interference can occur although all of the welding machines comply with the emission limits specified in the standard. The user is responsible for any interference caused by welding.

In order to **evaluate** any possible problems with electromagnetic compatibility in the surrounding area, the user must consider the following: (see also EN 60974-10 Appendix A)

- Mains, control, signal and telecommunication lines
- Radios and televisions
- Computers and other control systems
- Safety equipment
- The health of neighbouring persons, especially if they have a pacemaker or wear a hearing aid
- Calibration and measuring equipment
- The immunity to interference of other equipment in the surrounding area
- The time of day at which the welding work must be carried out

Recommendations for reducing interference emission

- Mains connection, e.g. additional mains filter or shielding with a metal tube
- Maintenance of the arc welding system
- Welding leads should be as short as possible and run closely together along the ground
- Potential equalization
- Earthing of the workpiece. In cases where it is not possible to earth the workpiece directly, it should be connected by means of suitable capacitors.
- Shielding from other equipment in the surrounding area or the entire welding system



Electromagnetic fields!

The power source may cause electrical or electromagnetic fields to be produced which could affect the correct functioning of electronic equipment such as IT or CNC devices, telecommunication lines, power cables, signal lines and pacemakers.



- Observe the maintenance instructions > see 6.3 chapter!
- Unwind welding leads completely!
- Shield devices or equipment sensitive to radiation accordingly!
- The correct functioning of pacemakers may be affected (obtain advice from a doctor if necessary).

⚠ CAUTION**Obligations of the operator!**

The respective national directives and laws must be complied with when operating the machine!

- Implementation of national legislation relating to framework directive 89/391/EEC on the introduction of measures to encourage improvements in the safety and health of workers at work and associated individual guidelines.
- In particular, directive 89/655/EEC concerning the minimum safety and health requirements for the use of work equipment by workers at work.
- The regulations applicable to occupational safety and accident prevention in the country concerned.
- Setting up and operating the machine as per IEC 60974.-9.
- Brief the user on safety-conscious work practices on a regular basis.
- Regularly inspect the machine as per IEC 60974.-4.



The manufacturer's warranty becomes void if non-genuine parts are used!

- ***Only use system components and options (power sources, welding torches, electrode holders, remote controls, spare parts and replacement parts, etc.) from our range of products!***
- ***Only insert and lock accessory components into the relevant connection socket when the machine is switched off.***

Requirements for connection to the public mains network

High-performance machines can influence the mains quality by taking current from the mains network. For some types of machines, connection restrictions or requirements relating to the maximum possible line impedance or the necessary minimum supply capacity at the interface with the public network (Point of Common Coupling, PCC) can therefore apply. In this respect, attention is also drawn to the machines' technical data. In this case, it is the responsibility of the operator, where necessary in consultation with the mains network operator, to ensure that the machine can be connected.

2.4 Transport and installation**⚠ WARNING****Risk of injury due to improper handling of shielding gas cylinders!**

Improper handling and insufficient securing of shielding gas cylinders can cause serious injuries!

- Observe the instructions from the gas manufacturer and any relevant regulations concerning the use of compressed air!
- Do not attach any element to the shielding gas cylinder valve!
- Prevent the shielding gas cylinder from heating up.

CAUTION



Risk of accidents due to supply lines!

During transport, attached supply lines (mains leads, control cables, etc.) can cause risks, e.g. by causing connected machines to tip over and injure persons!

- Disconnect all supply lines before transport!



Risk of tipping!

There is a risk of the machine tipping over and injuring persons or being damaged itself during movement and set up. Tilt resistance is guaranteed up to an angle of 10° (according to IEC 60974-1).

- Set up and transport the machine on level, solid ground.
- Secure add-on parts using suitable equipment.



Risk of accidents due to incorrectly installed leads!

Incorrectly installed leads (mains, control and welding leads or intermediate hose packages) can present a tripping hazard.

- Lay the supply lines flat on the floor (avoid loops).
- Avoid laying the leads on passage ways.



Risk of injury from heated coolant and its connections!

The coolant used and its connection or connection points can heat up significantly during operation (water-cooled version). When opening the coolant circuit, escaping coolant may cause scalding.

- Open the coolant circuit only when the power source or cooling unit is switched off!
- Wear proper protective equipment (protective gloves)!
- Seal open connections of the hose leads with suitable plugs.



The units are designed for operation in an upright position!

Operation in non-permissible positions can cause equipment damage.

- ***Only transport and operate in an upright position!***



Accessory components and the power source itself can be damaged by incorrect connection!

- ***Only insert and lock accessory components into the relevant connection socket when the machine is switched off.***
- ***Comprehensive descriptions can be found in the operating instructions for the relevant accessory components.***
- ***Accessory components are detected automatically after the power source is switched on.***



Protective dust caps protect the connection sockets and therefore the machine against dirt and damage.

- ***The protective dust cap must be fitted if there is no accessory component being operated on that connection.***
- ***The cap must be replaced if faulty or if lost!***

3 Intended use

⚠ WARNING



Hazards due to improper usage!

The machine has been constructed to the state of the art and any regulations and standards applicable for use in industry and trade. It may only be used for the welding procedures indicated at the rating plate. Hazards may arise for persons, animals and material objects if the equipment is not used correctly. No liability is accepted for any damages arising from improper usage!

- The equipment must only be used in line with its designated purpose and by trained or expert personnel!
- Do not improperly modify or convert the equipment!

3.1 Applications

These cooling modules are designed solely for cooling welding torches.

We can only guarantee smooth and trouble-free operation when used in conjunction with the welding machines, welding torches, coolants and accessory components from our range.

3.2 Use and operation solely with the following machines

The following system components can be combined:

Power source	Tetrix XQ 230 puls DC Tetrix XQ 230 puls AC/DC
Machine control	Comfort 3.0 Expert 3.0
Welding torch cooling unit	Cool XQ 40 Cool XQ 40 MV
Transport vehicle	Trolley XQ 35-3 Trolley XQ 55-3

3.3 Documents which also apply

3.3.1 Warranty

For more information refer to the "Warranty registration" brochure supplied and our information regarding warranty, maintenance and testing at www.ewm-group.com!

3.3.2 Declaration of Conformity



This product corresponds in its design and construction to the EU directives listed in the declaration. The product comes with a relevant declaration of conformity in the original.

The manufacturer recommends carrying out the safety inspection according to national and international standards and guidelines every 12 months.

3.3.3 Service documents (spare parts and circuit diagrams)

WARNING



Do not carry out any unauthorised repairs or modifications!

To avoid injury and equipment damage, the unit must only be repaired or modified by specialist, skilled persons!

The warranty becomes null and void in the event of unauthorised interference.

- Appoint only skilled persons for repair work (trained service personnel)!

Original copies of the circuit diagrams are enclosed with the unit.

Spare parts can be obtained from the relevant authorised dealer.

3.3.4 Part of the complete documentation

This document is part of the complete documentation and valid only in combination with all other parts of these instructions! Read and observe the operating instructions for all system components, especially the safety instructions!

The illustration shows a general example of a welding system.

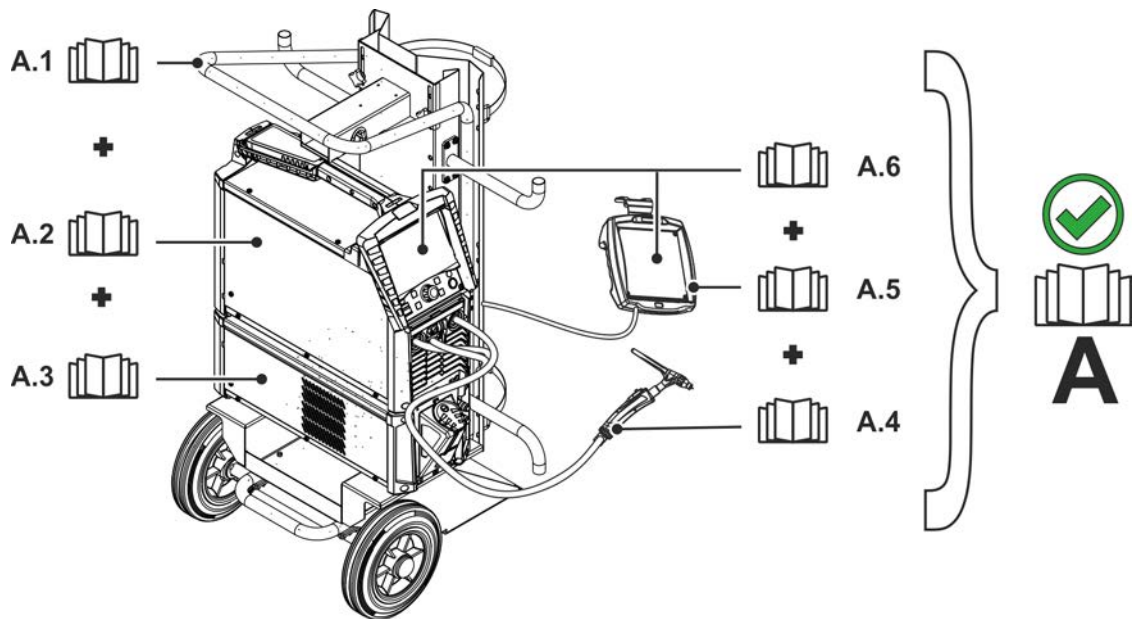


Figure 3-1

Item	Documentation
A.1	Transport vehicle
A.2	Power source
A.3	Cooling unit
A.4	Welding torch
A.5	Remote control
A.6	Control
A	Complete documentation

4 Machine description – quick overview

4.1 Front view / rear view

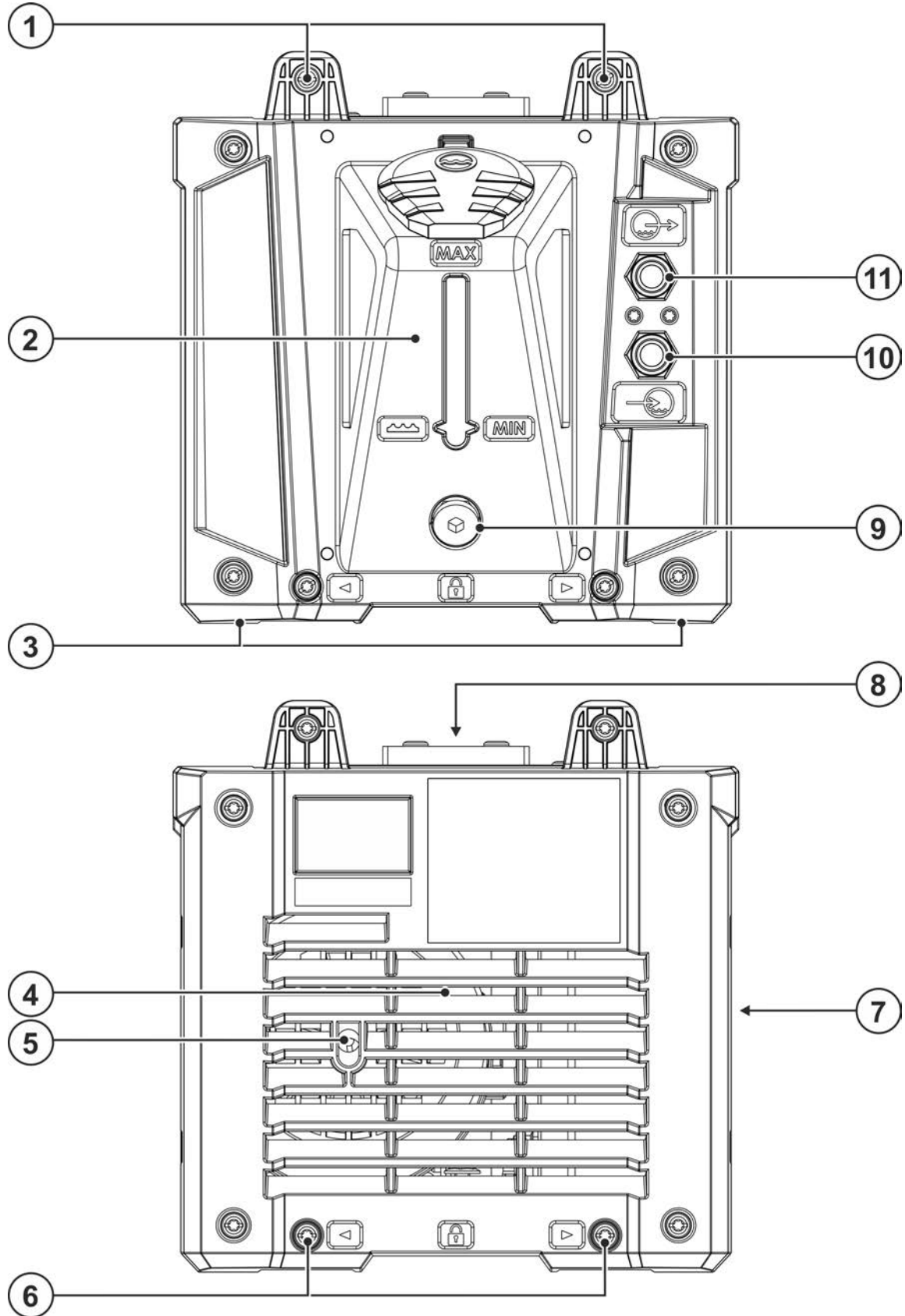




Figure 4-1

Item	Symbol	Description
1		Module connector Screw connection for system components
2		Coolant tank > see 5.2.3 chapter
3		Machine feet
4		Cooling air inlet
5		Service opening for coolant pump > see 7.3 chapter
6		Holder for the module connector Screw connection for module fastening of system components
7		Cooling air outlet
8		Cable duct Cable duct for accommodating the supply lines
9		Coolant drain plug > see 6.3.1 chapter
10		Quick connect coupling, red Coolant return from the welding torch
11		Quick connect coupling, blue Coolant supply to the welding torch

5 Design and function

WARNING



Risk of injury from electrical voltage!

Contact with live parts, e.g. power connections, can be fatal!

- Observe the safety information on the first pages of the operating instructions!
- Commissioning must be carried out by persons who are specifically trained in handling power sources!
- Connect connection or power cables while the machine is switched off!

Read and observe the documentation to all system and accessory components!

5.1 Connect the cooling unit to the power source

WARNING



Risk of accidents due to improperly connected modules!

Improperly installed modules may come loose and cause severe injuries.

- Remove impurities from the connection points before installation!
- All plug and screw connections must be carried out properly and completely!

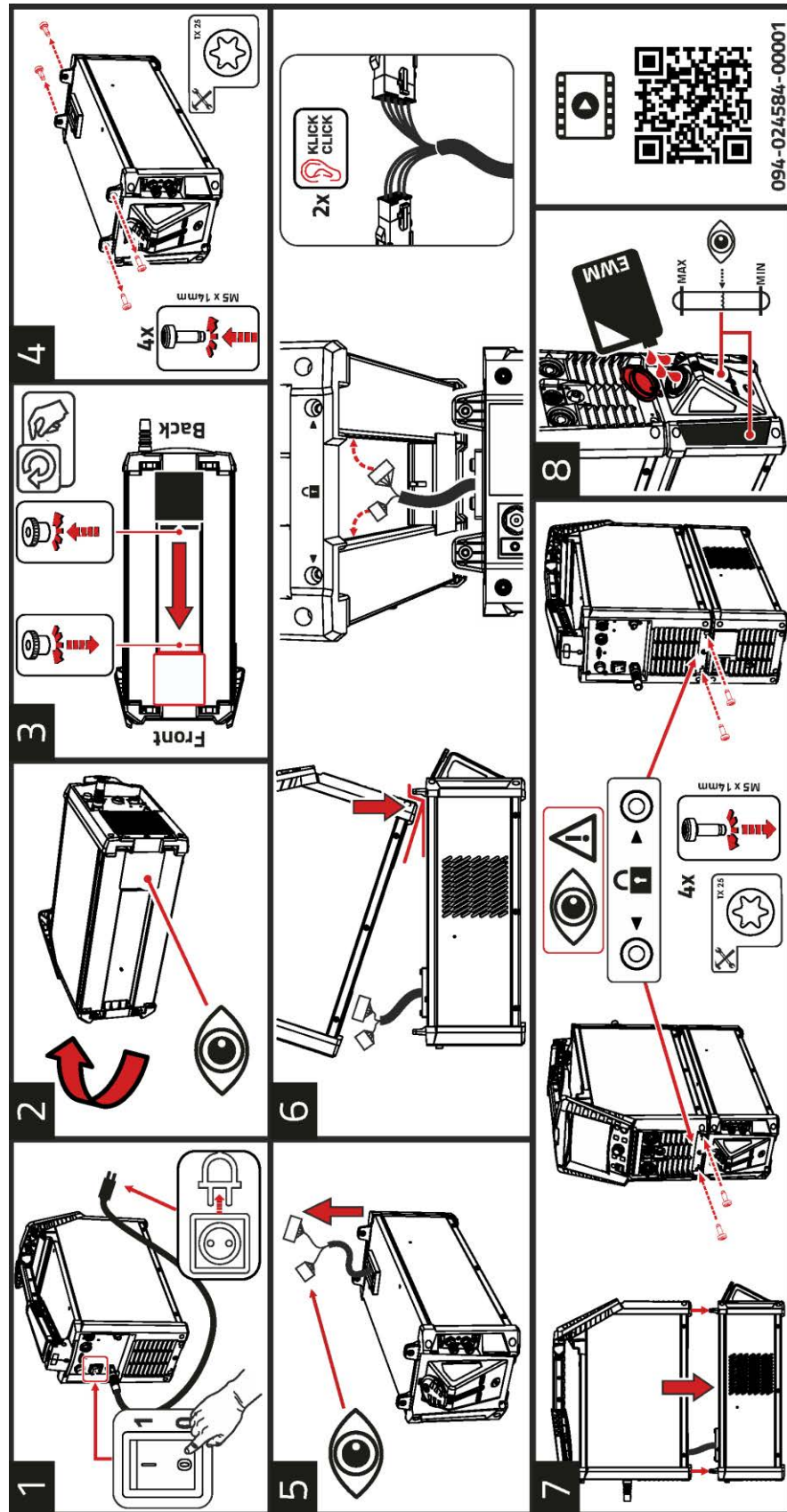


Figure 5-1

- 1 Switch off the power source and disconnect the mains plug.
- 2 Place the power source to the side.
- 3 Loosen the screws on the lower cover. Move the cover to the park position towards the front. Screw the cover back on.

- 4 Undo all four Torx screws from the module connectors of the cooling unit.
- 5 Route the supply lines through the cable duct of the cooling unit.
- 6 Place the power source with the front feet ahead of the front module connector of the cooling unit. Lift the power source at the rear and plug both connectors of the cooling unit's supply lines into the corresponding sockets of the power source (the connectors must engage).
- 7 Place the power source precisely with the connector receptacles in the module connectors provided on the cooling unit. Secure the cooling unit and power source with all four Torx screws M5 x 14 mm.
- 8 Fill in the coolant > see 5.2.3 chapter.

For further information on installing the machine (video), scan the QR code on the information sticker if necessary.

5.2 Transport and installation

WARNING



Risk of accident due to improper transport of machines that must not be lifted! Do not lift or suspend the machine! The machine can drop and cause injuries! The handles, straps or brackets are suitable for transport by hand only!

- The machine must not be suspended or lifted using a crane.

5.2.1 Machine cooling



Insufficient ventilation results in a reduction in performance and equipment damage.

- **Observe the ambient conditions!**
- **Keep the cooling air inlet and outlet clear!**
- **Observe the minimum distance of 0.5 m from obstacles!**

5.2.2 Ambient conditions



The machine must not be operated in the open air and must only be set up and operated on a suitable, stable and level base!

- **The operator must ensure that the ground is non-slip and level, and provide sufficient lighting for the place of work.**
- **Safe operation of the machine must be guaranteed at all times.**



Equipment damage due to contamination!

Unusually high amounts of dust, acids, corrosive gases or substances can damage the machine (observe maintenance intervals > see 6.3 chapter).

- **Avoid large amounts of smoke, steam, oily fumes, grinding dust and corrosive ambient air!**

In operation

Temperature range of the ambient air:

- -25 °C to +40 °C (-13 °F to 104 °F) ^[1]

Relative humidity:

- up to 50 % at 40 °C (104 °F)
- up to 90 % at 20 °C (68 °F)

Transport and storage

Storage in a closed room, temperature range of the ambient air:

- -30 °C to +70 °C (-22 °F to 158 °F) ^[1]

Relative humidity

- up to 90 % at 20 °C (68 °F)

^[1] Ambient temperature dependent on coolant! Observe the coolant temperature range of the torch cooling

5.2.3 Welding torch cooling system



Material damage due to unsuitable coolants!

Unsuitable coolant, coolants mixed with other types / liquids or use in an unsuitable temperature range will result in material damage and loss of the manufacturer's warranty!

- **Operation without coolant is not permitted! Dry running will destroy the cooling components such as the coolant pump, welding torch and hose packages.**
- **Only use the coolants described in these instructions for the specified ambient conditions (temperature range) > see 5.2.3.2 chapter.**
- **Do not mix coolants of different types (including those described in these instructions).**
- **When changing the coolant, all liquid must be replaced and the cooling system flushed.**

Dispose of the coolant in accordance with local regulations and the material safety data sheets.

5.2.3.1 Functional characteristics

The cooling system of this machine series is designed to optimise the operating conditions and is temperature- and flow-monitored to protect against damage. Limit values > see 8 chapter for warnings and errors in the machine (adjustable depending on control system) are stored for monitoring and control of the cooling system. If the cooling system is faulty or overloaded, an error message appears and the welding process is switched off in a controlled manner.

5.2.3.2 Permitted torch coolant

Coolant	Temperature range
blueCool -10	-10 °C to +40 °C (14 °F to +104 °F)
KF 23E (Standard)	-10 °C to +40 °C (14 °F to +104 °F)
KF 37E	-20 °C to +30 °C (-4 °F to +86 °F)
blueCool -30	-30 °C to +40 °C (-22 °F to +104 °F)

5.2.3.3 Maximal hose package length

All information relates to the total hose package length of the complete welding system and presents exemplary configurations (of components of the EWM product portfolio with standard lengths). A straight kink-free installation is to be ensured, taking into account the max. delivery height.

Pump: Pmax = 3.5 bar (0.35 MPa)

Power source	Hose package	Wire feeder	miniDrive	Welding torch	max.
Compact	⊗	⊗	✓ (25 m / 82 ft.)	✓ (5 m / 16 ft.)	30 m 98 ft.
	✓ (20 m / 65 ft.)	✓	⊗	✓✓ (5 m / 16 ft.)	
Decompact	✓ (25 m / 82 ft.)	✓	⊗	✓ (5 m / 16 ft.)	
	✓ (15 m / 49 ft.)	✓	✓ (10 m / 32 ft.)	✓ (5 m / 16 ft.)	

5.2.3.4 Adding coolant

After switching on the machine, the coolant pump runs for a defined time (filling the hose package). If the machine does not detect sufficient coolant flow during this time, the coolant pump is switched off (protection against damage caused by dry running). At the same time, the welding data display signals the coolant error. If there is sufficient coolant flow, the coolant pump is switched off before the defined time has elapsed (operational readiness).

If there is less coolant in the coolant tank than the minimum required you may need to vent the coolant circuit. In this case the welding machine will automatically shut down the coolant pump and signal an error, > see 7.2 chapter.

The unit is supplied ex works with a minimum level of coolant.



The level of coolant must never fall below the "MIN" mark.

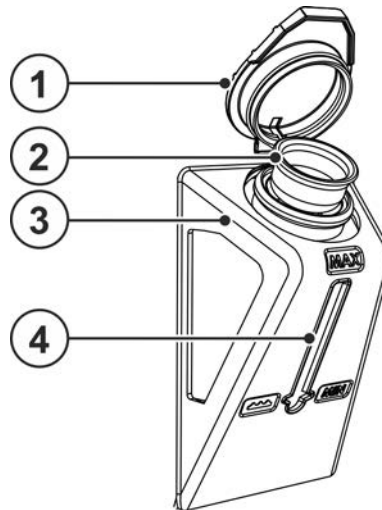


Figure 5-2

Item	Symbol	Description
1		Coolant tank cap
2		Coolant filter sieve
3		Coolant tank > see 5.2.3 chapter
4		Filling level display MIN----- minimum coolant level MAX----- maximum coolant level

- Pull off the coolant tank sealing cover.
- Check filter sieve for cleanliness, clean if necessary and reinsert.
- Top up coolant up to the upper filling level gauge "MAX" and push sealing cover back on.
- Switch on the power source at the main switch.

5.2.4 Welding torch connection



The cooling circuit (cooling unit <-> welding torch) must not be interrupted. Otherwise, the coolant pump can be destroyed by thermal overload (the coolant cannot circulate). When using air-cooled welding torches, one of the following measures must be taken depending on the machine version:

- Switch off the torch cooling (see function “Torch cooling mode” in the machine configuration menu of the control description).
- Insert a hose bridge between the coolant flow and return (the coolant can circulate in the cooling unit).
- Disconnect the control and supply line between the cooling unit and the welding machine.

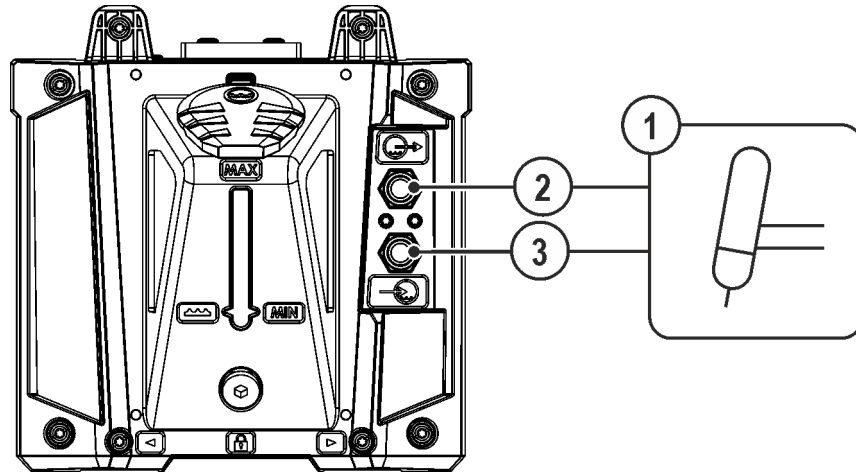


Figure 5-3

Item	Symbol	Description
1		Welding torch
2		Quick connect coupling, blue Coolant supply to the welding torch
3		Quick connect coupling, red Coolant return from the welding torch

- Lock connecting nipples of the cooling water tubes into the corresponding quick connect couplings: Return line red to quick connect coupling, red (coolant return) and supply line blue to quick connect coupling, blue (coolant supply).

6 Maintenance, care and disposal

6.1 General

WARNING



Incorrect maintenance, testing and repair!

Maintenance, testing and repair of the machine may only be carried out by skilled and qualified personnel. A qualified person is one who, because of his or her training, knowledge and experience, is able to recognise the dangers that can occur while testing welding power sources as well as possible subsequent damage, and who is able to implement the required safety procedures.

Observe the maintenance instructions > see 6.3 chapter.

- In the event that the provisions of one of the below-stated tests are not met, the machine must not be operated again until it has been repaired and a new test has been carried out!

As a rule, contact your specialised dealer, i.e. the supplier of the machine, with respect to all servicing matters. Any return deliveries in the case of warranty claims can be made via your specialised dealer only.



Only use original spare parts to replace any part. When ordering a spare part, always specify the type, serial number and article number of the machine, and the type designation and article number of the spare part.

Under the specified ambient conditions and normal working conditions this machine is essentially maintenance-free and requires just a minimum of care.


Contamination of the machine may impair service life and duty cycle. The cleaning intervals depend on the ambient conditions and the resulting contamination of the machine. The minimum interval is every six months.

6.2 Explanation of icons







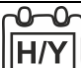
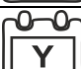
Person

	Welder / operator
	Service staff / expert, qualified person

Test

	Visual inspection
	Functional check

Period, interval

	One-shift operation
	Multi-shift operation
	every 8 hours
	Daily
	Weekly
	Monthly
	Every 6 months
	Annually

6.3 Maintenance schedule

Inspector	Type of inspection	8h	24h	Maintenance step	Repairer
				<p>! Only personnel designated as inspectors or repairers due to their training are allowed to carry out the relevant work step! Inapplicable checkpoints are omitted.</p>	
				<ul style="list-style-type: none"> Check and clean the welding torch. Deposits in the welding torch may cause short circuits, impair the welding result and lead to welding torch damage! Connections of the welding current leads (check for tight and locked seating). Is shielding gas cylinder with gas cylinder securing elements (chain/belt) secured? Strain relief: Are hose packages secured with strain relief? 	
				<ul style="list-style-type: none"> Checking all supply lines and their connections (pipes, hoses, hose packages) for damage or leaks. Checking the welding system for damage to the housing. Transport elements (strap, lifting eyes, handle, wheels, parking brake) corresponding safety elements (if necessary fuse caps) are present and flawless? 	
				<ul style="list-style-type: none"> Cleaning connections of coolant pipes (quick connect coupling, connections) from impurities and install protective caps when not in use. Gas test that the solenoid valve opens and closes properly. Checking operating, signalling and indicator lights, protective devices and actuators. 	
				<ul style="list-style-type: none"> Cleaning dirt filter (if applicable) > see 6.3.2 chapter 	
				<ul style="list-style-type: none"> Clean external surfaces with a damp cloth (do not use aggressive cleaning agents). 	
				<ul style="list-style-type: none"> Cleaning the power source (inverter) > see 6.3.3 chapter 	
				<ul style="list-style-type: none"> Cleaning heat exchanger (torch cooling) > see 6.3.4 chapter 	
				<ul style="list-style-type: none"> Check for sufficient frost protection Coolant change (torch cooling) > see 6.3.1 chapter 	
				<ul style="list-style-type: none"> Periodic inspection and testing > see 6.3.5 chapter 	

6.3.1 Coolant error

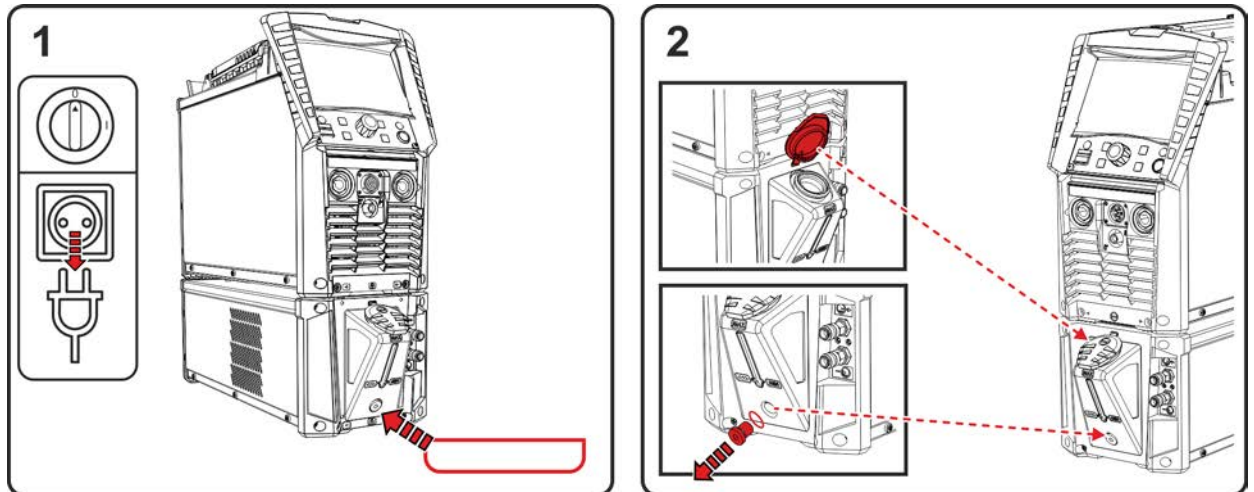


Figure 6-1

- Switch off the machine and disconnect the mains plug. Position a suitable collecting container under the drain plug of the coolant tank.
- Unscrew the drain plug of the coolant tank (remove the tank cap to ventilate).

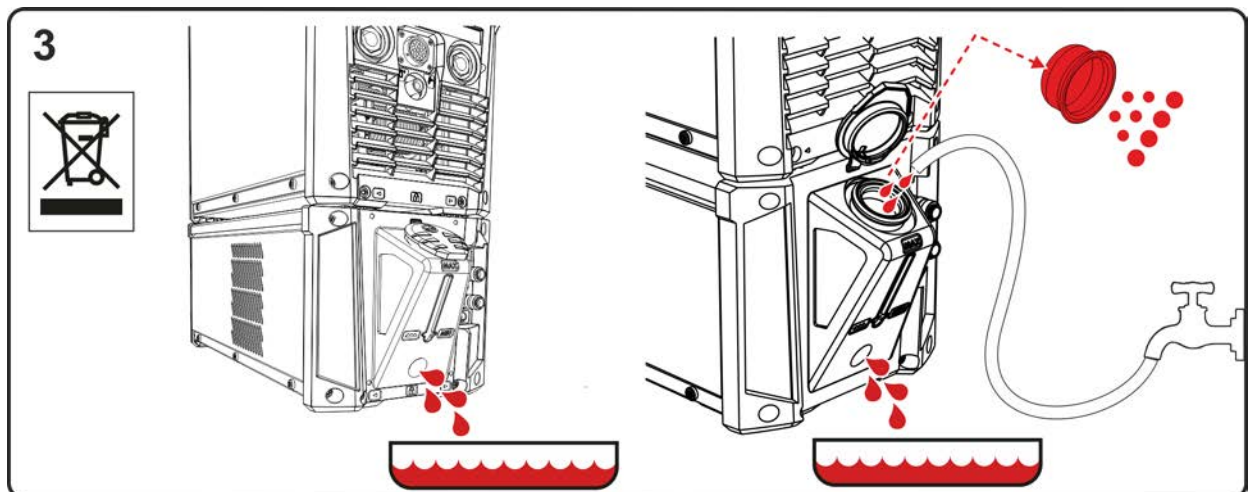


Figure 6-2

- Wait until the coolant has run out of the tank into the collection container.
- Remove the filter screen from the filler neck and clean.
- Then rinse the dirt out of the tank with water.

Follow official regulations on disposal!

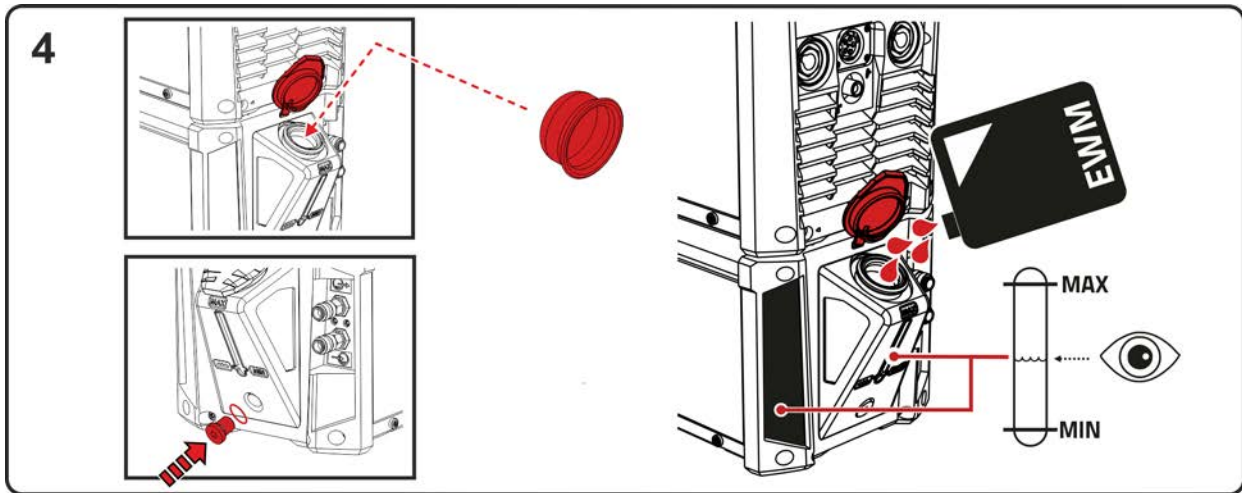


Figure 6-3

- Insert the cleaned filter screen into the filler neck and screw the drain plug with seal back into the tank.
- Fill the tank with original EWM coolant up to the maximum level. After filling, refit the tank cap and vent the coolant circuit > see 7.2 chapter.

6.3.2 Dirt filter

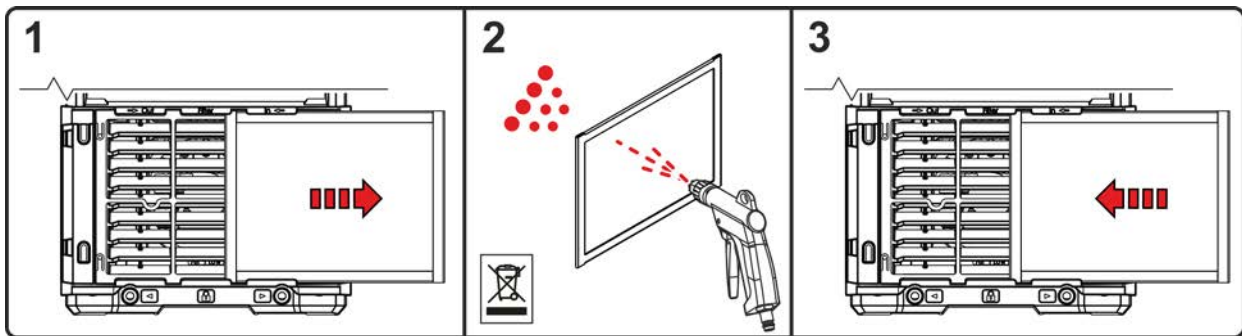


Figure 6-4

- Remove the dirt filter and blow out with compressed air free of oil and water.
- After cleaning, reassemble in reverse order.

Follow the official regulations for the disposal of dirt residues!

6.3.3 Power source (inverter)

⚠ WARNING



Risk of injury due to insufficient training!

An appropriate training is necessary for the following maintenance steps to avoid injuries.

- This maintenance step may only be carried out by trained and authorized specialist staff.
- Observe warnings and maintenance instructions at the beginning of this chapter!

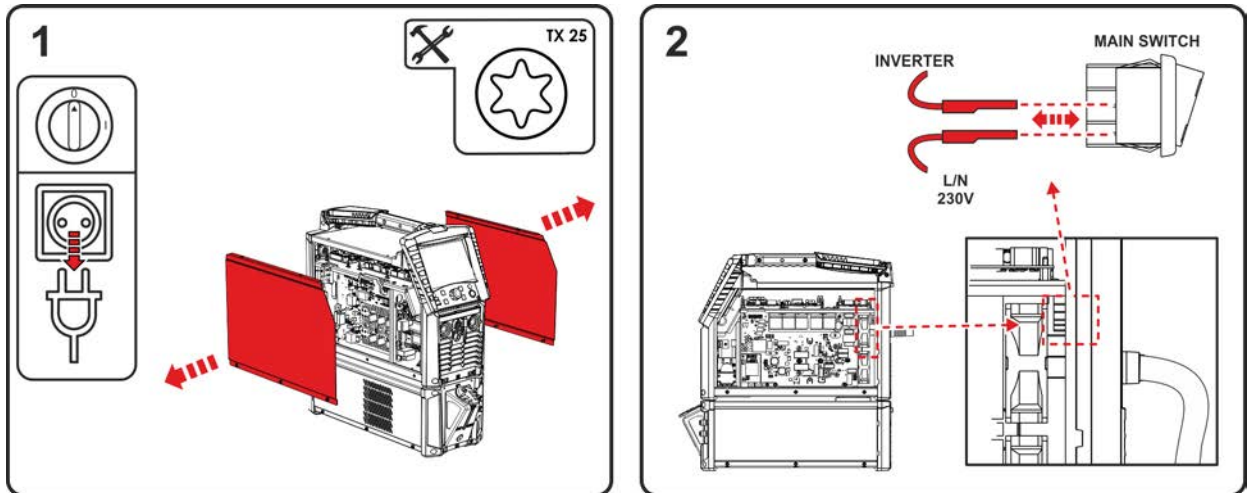


Figure 6-5

- Switch off the machine and disconnect the mains plug. Remove the screws of the side panels. Remove side panels (fold out sideways at the bottom and pull out downwards).
- Disconnect all four mains leads (6.3 mm flat pin terminals) from the main switch.

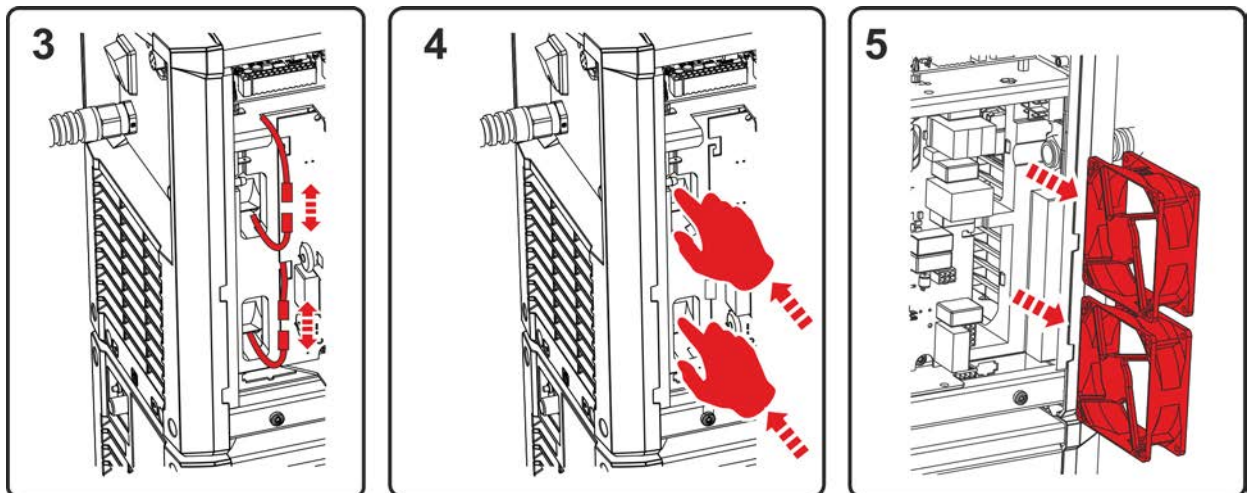


Figure 6-6

- Disconnect the plugs of the supply lines to the machine fan.
- Press the fan with your finger through the corresponding openings towards the opposite side.
- Pull out the machine fan.

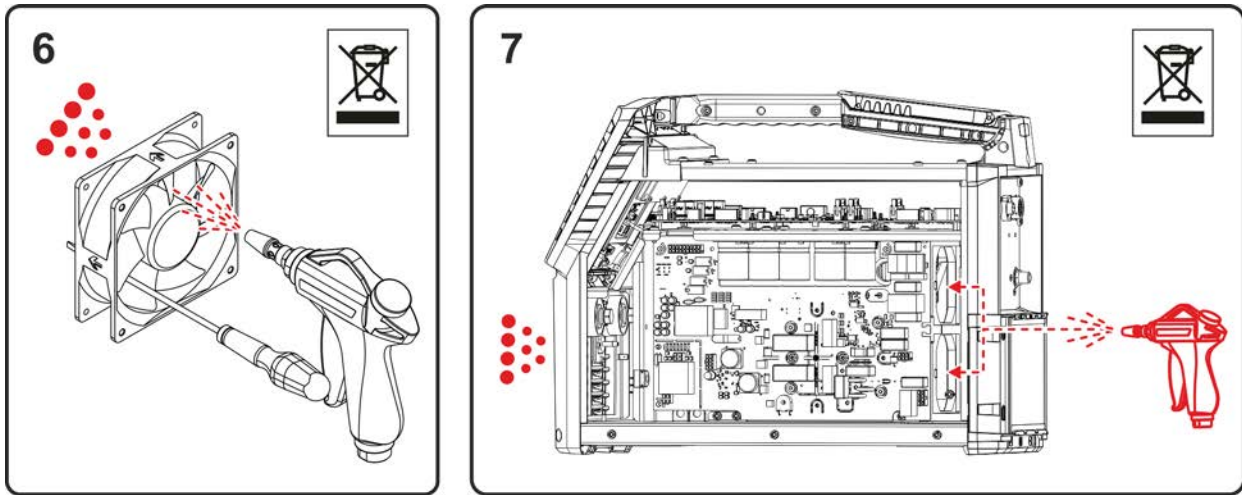


Figure 6-7

- Clean the machine fan with compressed air free of oil and water.

Block the fan wheel of the machine fan mechanically (the machine fan may over-rotate due to the compressed air and be damaged as a result)!

- Blow out the inverter through both fan openings from the back to the front with compressed air free of oil and water. Do not blow directly towards external electronic components.

Follow the official regulations for the disposal of dirt residues!

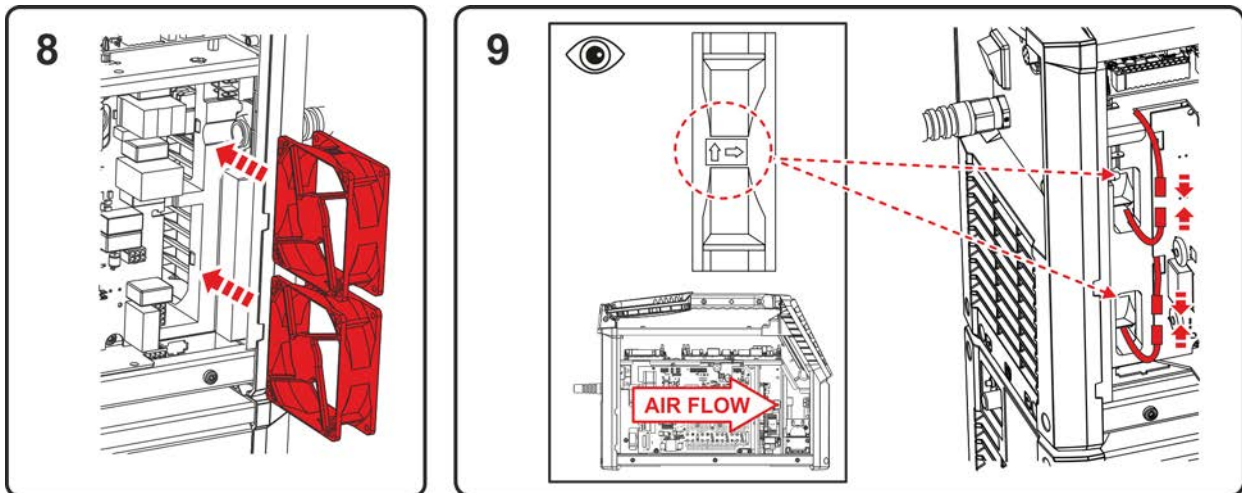


Figure 6-8

- Push the machine fan back in (note the installation direction).
- Reconnect the plugs of the supply lines to the machine fan.

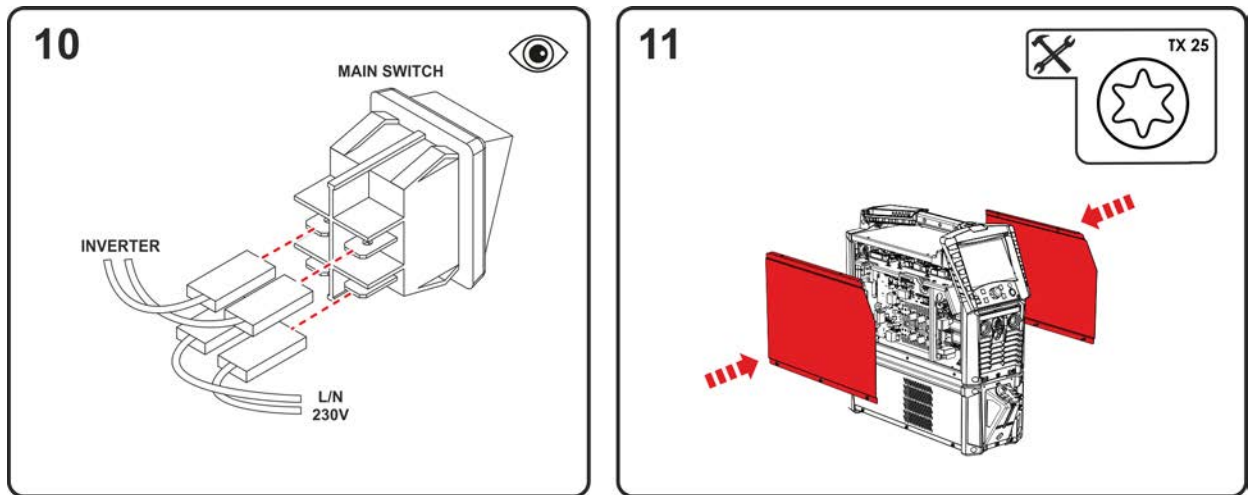


Figure 6-9

- Reconnect all four power lines to the main switch (note inputs / outputs).
- Reinstall the side panels and secure with the screws.
- Check the machine according to applicable regulations.

6.3.4 Heat exchanger (torch cooling)

WARNING



Risk of injury due to insufficient training!

An appropriate training is necessary for the following maintenance steps to avoid injuries.

- This maintenance step may only be carried out by trained and authorized specialist staff.
- Observe warnings and maintenance instructions at the beginning of this chapter!

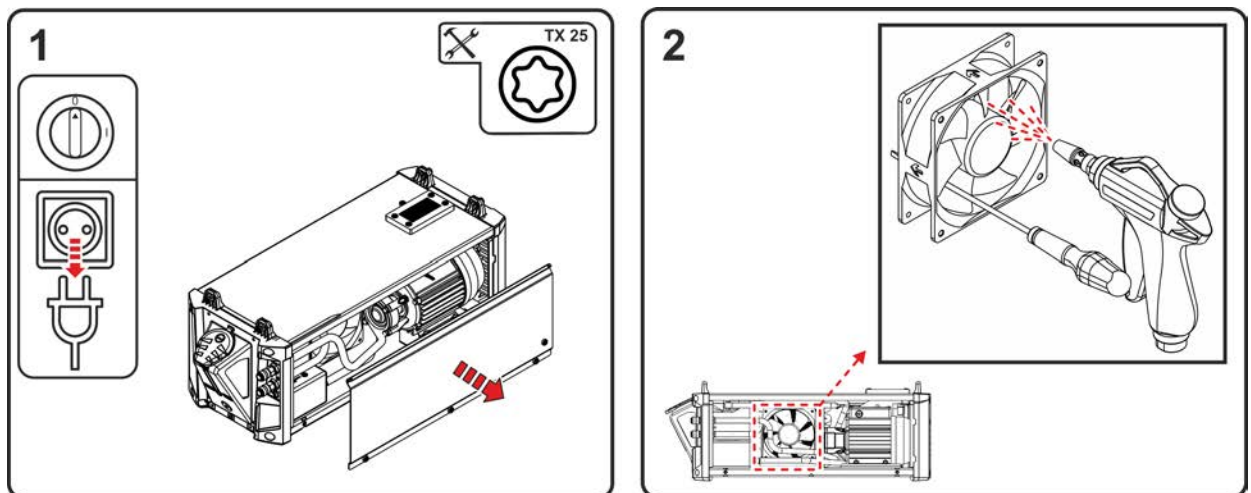


Figure 6-10

- Switch off the machine and disconnect the mains plug. Remove the screws of the side panels. Remove side panels (fold out sideways at the bottom and pull out downwards).
- Clean the machine fan with compressed air free of oil and water.

Block the fan wheel of the machine fan mechanically (the machine fan may over-rotate due to the compressed air and be damaged as a result)!

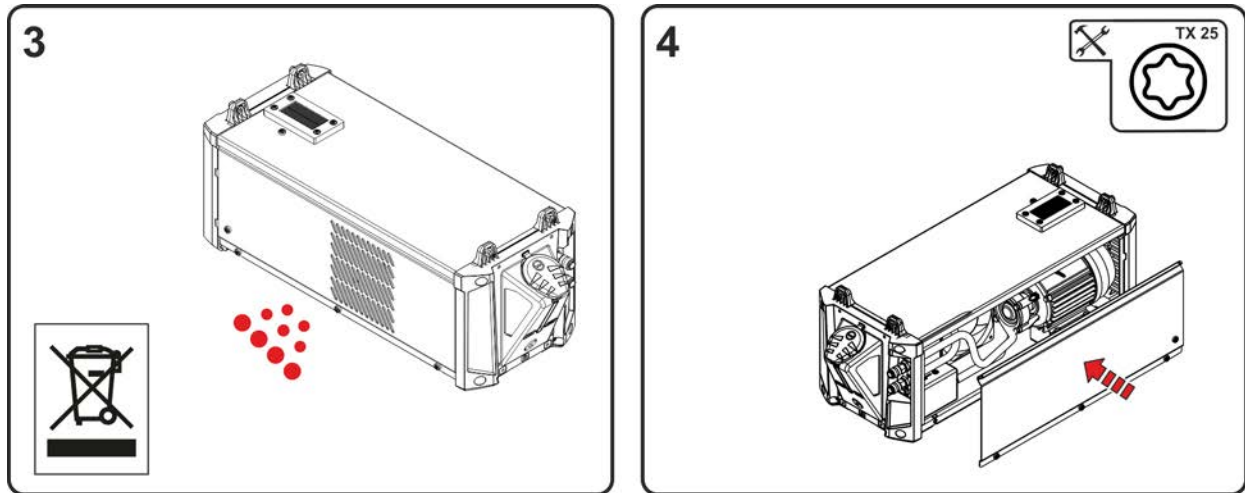


Figure 6-11

Follow official regulations on disposal!

- After cleaning, remove any mechanical blockages from the fans, close the machine in reverse order and check according to applicable regulations.

6.3.5 Annual test (inspection and testing during operation)

A periodic test according to IEC 60974-4 "Periodic inspection and test" has to be carried out. In addition to the regulations on testing given here, the relevant local laws and regulations must also be observed. For more information refer to the "Warranty registration" brochure supplied and our information regarding warranty, maintenance and testing at www.ewm-group.com!

6.4 Disposing of equipment



Proper disposal!

The machine contains valuable raw materials, which should be recycled, and electronic components, which must be disposed of.

- **Do not dispose of in household waste!**
- **Observe the local regulations regarding disposal!**
- According to European provisions (Directive 2012/19/EU on Waste of Electrical and Electronic Equipment), used electric and electronic equipment may no longer be placed in unsorted municipal waste. It must be collected separately. The symbol depicting a waste container on wheels indicates that the equipment must be collected separately. This machine has to be disposed of, or recycled, in accordance with the waste separation systems in use.
- According to German law (law governing the distribution, taking back and environmentally correct disposal of electric and electronic equipment (ElektroG)), used machines are to be placed in a collection system separate from unsorted municipal waste. The public waste management utilities (communities) have created collection points at which used equipment from private households can be disposed of free of charge.
- Information about returning used equipment or about collections can be obtained from the respective municipal administration office.
- In addition to this, returns are also possible throughout Europe via EWM sales partners.

7 Rectifying faults

All products are subject to rigorous production checks and final checks. If, despite this, something fails to work at any time, please check the product using the following flowchart. If none of the fault rectification procedures described leads to the correct functioning of the product, please inform your authorised dealer.

7.1 Checklist for rectifying faults

The correct machine equipment for the material and process gas in use is a fundamental requirement for perfect operation!

Please observe the welding machine operating instructions.

Legend	Symbol	Description
	↘	Fault/Cause
	✘	Remedy

Coolant error/no coolant flowing

- ↘ Insufficient coolant flow
 - ✘ Check coolant level and refill if necessary
 - ✘ Eliminate kinks in conduit system (hose packages)
 - ✘ Extend and lay out the torch hose package
- ↘ Air in the coolant circuit
 - ✘ Vent coolant circuit > see 5.2.3.4 chapter
- ↘ Coolant pump blocked
 - ✘ Switch on pump shaft (specialist staff only) > see 7.3 chapter

Functional errors

- ↘ Connection problems
 - ✘ Make control lead connections and check that they are fitted correctly.

7.2 Vent coolant circuit

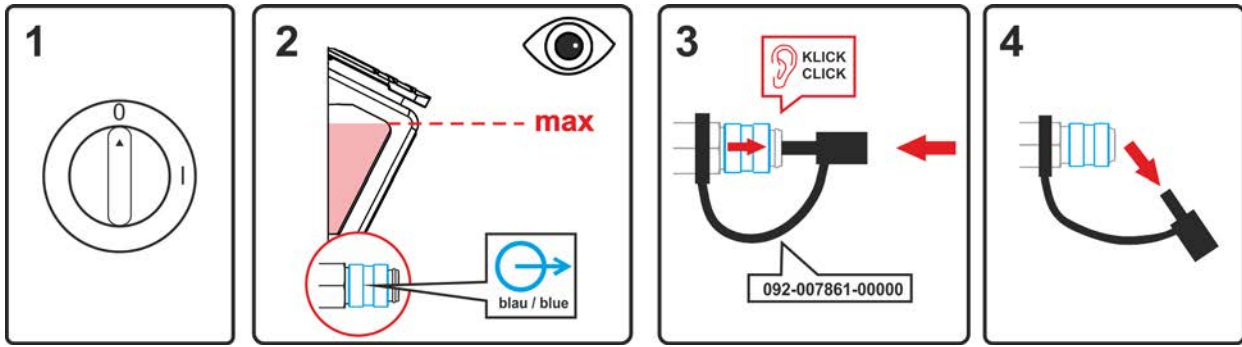


Figure 7-1

- Switch off the machine and fill the coolant tank to the maximum level.
- Unlock the quick-connect coupling with a suitable tool (connection open).

To vent the cooling system always use the blue coolant connection, which is located as deep as possible inside the system (close to the coolant tank)!

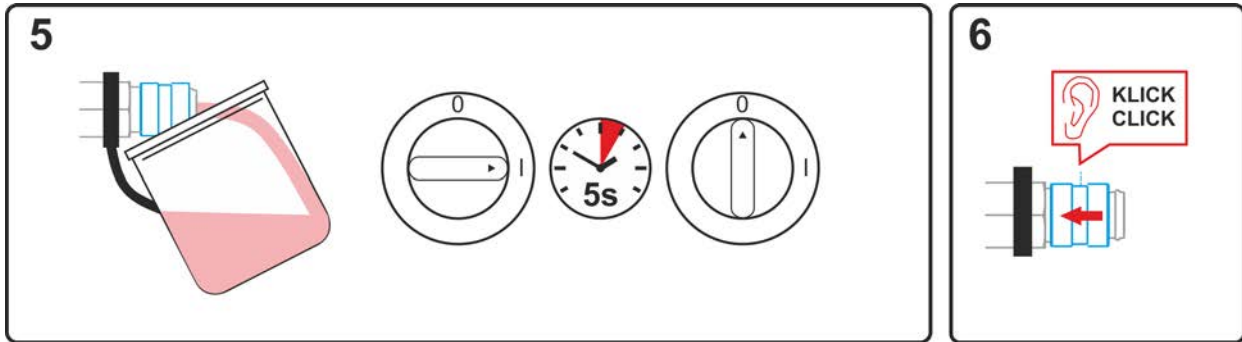


Figure 7-2

- Position a suitable collection container for collecting the escaping coolant at the quick-connect coupling and switch on the machine for approx. 5s.
- Lock the quick-connect coupling by pushing back the locking ring.

7.3 Fixing the pump shaft (coolant circuit)

⚠ WARNING



Do not carry out any unauthorised repairs or modifications!
To avoid injury and equipment damage, the unit must only be repaired or modified by specialist, skilled persons!

The warranty becomes null and void in the event of unauthorised interference.

- Appoint only skilled persons for repair work (trained service personnel)!



Risk of injury from electrical voltage!

Voltages can cause potentially fatal electric shocks and burns on contact. Even low voltages can cause a shock and lead to accidents.

- Never touch live components such as welding current sockets or stick, tungsten or wire electrodes!
- Always place torches and electrode holders on an insulated surface!
- Wear the full personal protective equipment (depending on the application)!
- The machine may only be opened by qualified personnel!
- The device must not be used to defrost pipes!

Continuing non-use and impurities in the coolant may result in the the coolant pump not being in proper working order.

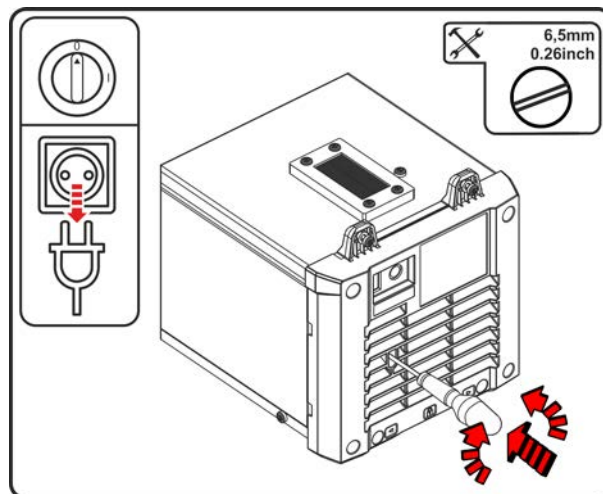


Figure 7-3

- Switch off machine at the main switch.
- Insert a plain slot screwdriver with a maximum tip width of 6.5 mm and place in the centre of the pump shaft. Turn the screwdriver clockwise until the pump shaft can be easily rotated again.
- Remove screwdriver.
- Switch on the power source at the main switch.

8 Technical data

8.1 Cool XQ 40

The limit value determination of technical data results from considering the combined overall system (cooling unit and welding machine).

	Cool XQ 40	Cool XQ 40 MV
Supply voltage (from the welding machine)	1x 230 V	1x 120 V / 1x 230 V
Frequency	50/60 Hz	
max. Cooling capacity (+25°C/77°F)	1100 W	
Cooling capacity at 1 l/min (+25°C/77°F)	790 W	
Ambient temperature ^[1]	-25 °C to +40 °C	
max. Flow rate	5 l/min / 1,3 gal./min	
max. Delivery height	35 m / 115 ft.	
max. Pump pressure	3,5 bar / 0.35 MPa	
Pump	Centrifugal pump	
max. Tank content	2,3 l / 0.6gal.	
Flow monitoring		
Error limit	0,6 l/min / 0.16 gal./min	
Warning limit ^[2]	Offset +0,1 l/min / +0.03 gal./min	
Temperaturüberwachung		
Error limit	70°C / 158°F	
Warning limit ^[2]	Offset -5°C / -23°F	
Protection class	I	
Overvoltage category	III	
Contamination level	3	
Coolant	> see 5.2.3.2 chapter	
Machine cooling / protection classification	Fan (AF) / IP 23 ^[4]	
Noise level ^[3]	< 70 dB(A)	
EMC class	A	
Safety marking	CE / ENEC	
Standards used	See declaration of conformity (appliance documents)	
Dimensions (l x b x h)	588 x 224 x 200 mm 23.1 x 8.8 x 7.9 inch	
Weight without coolant	10,4 kg 22.9 lb.	12,5 kg 27.6 lb.

^[1] Ambient temperature dependent on coolant! Observe coolant temperature range!

^[2] Offset from the set error limit

^[3] Noise level during idle mode and operation under standard load according to IEC 60974-1 at the maximum operating point.

^[4] Mounted state

9 Accessories

9.1 Welding torch cooling system

Type	Designation	Item no.
HOSE BRIDGE UNI	Tube bridge	092-007843-00000

9.1.1 Coolant - type blueCool

Type	Designation	Item no.
blueCool -10 5 l	Coolant up to -10 °C (14 °F), 5 l	094-024141-00005
blueCool -10 25 l	Coolant up to -10 °C (14 °F), 25 l	094-024141-00025
blueCool -30 5 l	Coolant up to -30 °C (22 °F), 5 l	094-024142-00005
blueCool -30 25 l	Coolant up to -30 °C (22 °F), 25 l	094-024142-00025
FSP blueCool	Frost protection tester	094-026477-00000

9.1.2 Coolant - type KF

Type	Designation	Item no.
KF 23E-5	Coolant up to -10 °C (14 °F), 5 l	094-000530-00005
KF 23E-200	Coolant (-10 °C), 200 litres	094-000530-00001
KF 37E-5	Coolant up to -20 °C (4 °F), 5 l	094-006256-00005
KF 37E-200	Coolant (-20 °C), 200 l	094-006256-00001
TYP1	Frost protection tester	094-014499-00000

9.2 Options

Type	Designation	Item no.
ON Water Filter K.06	Optional water filter	092-004024-00000
ON Filter TG.11/K.06	Dirt filter for air inlet	092-004056-00000

9.3 Transport system

Type	Designation	Item no.
Trolley XQ 35-3	Transport cart (2 casters) for transporting a power source, cooling unit and shielding gas cylinder	090-008847-00000
Trolley XQ 55-3	Transport cart	090-008637-00000

10 Appendix

10.1 Searching for a dealer

Sales & service partners
www.ewm-group.com/en/specialist-dealers



"More than 400 EWM sales partners worldwide"