



Transport systems

TROLLY 38-2 E

Observe additional system documents!

099-008270-EW501

12.10.2010

Register now!
For your benefit
Jetzt Registrieren
und Profitieren!

www.ewm-group.com



General instructions

CAUTION



Read the operating instructions!

The operating instructions provide an introduction to the safe use of the products.

- Read the operating instructions for all system components!
- Observe accident prevention regulations!
- Observe all local regulations!
- Confirm with a signature where appropriate.

NOTE



In the event of queries on installation, commissioning, operation or special conditions at the installation site, or on usage, please contact your sales partner or our customer service department on +49 2680 181-0.

A list of authorised sales partners can be found at www.ewm-group.com.

Liability relating to the operation of this equipment is restricted solely to the function of the equipment. No other form of liability, regardless of type, shall be accepted. This exclusion of liability shall be deemed accepted by the user on commissioning the equipment.

The manufacturer is unable to monitor whether or not these instructions or the conditions and methods are observed during installation, operation, usage and maintenance of the equipment.

An incorrectly performed installation can result in material damage and injure persons as a result. For this reason, we do not accept any responsibility or liability for losses, damages or costs arising from incorrect installation, improper operation or incorrect usage and maintenance or any actions connected to this in any way.

1 Contents

1	Contents	3
2	Safety instructions	5
2.1	Notes on the use of these operating instructions	5
2.2	Explanation of icons	6
2.3	General	7
2.4	Transport and installation	8
3	Intended use	10
3.1	Transport adapter to fasten the machine	10
3.1.1	Machines with transport adapter	10
3.1.2	Machines without transport adapter	11
4	Machine description – quick overview	12
4.1	Trolley 38-2 E	12
5	Design and function	14
5.1	Fitting the system components	14
5.1.1	Fitting the transport adapters	14
5.1.2	Fixing the welding machine	15
5.1.3	Fixing a welding machine with cooling module	16
5.2	Fixing and securing shielding gas cylinders	17
5.3	Using the transport system	18
6	Maintenance, care and disposal	19
6.1	General	19
6.2	Maintenance work, intervals	19
6.2.1	Daily maintenance tasks	19
6.2.2	Monthly maintenance tasks	19
6.3	Repair Work	19
6.4	Disposing of equipment	19
6.4.1	Manufacturer's declaration to the end user	20
6.5	Meeting the requirements of RoHS	20
7	Technical data	21
7.1	Trolley 38-2 E	21
8	Appendix A	22
8.1	Overview of EWM branches	22

2 Safety instructions

2.1 Notes on the use of these operating instructions

DANGER

Working or operating procedures which must be closely observed to prevent imminent serious and even fatal injuries.

- Safety notes include the "DANGER" keyword in the heading with a general warning symbol.
- The hazard is also highlighted using a symbol on the edge of the page.

WARNING

Working or operating procedures which must be closely observed to prevent serious and even fatal injuries.

- Safety notes include the "WARNING" keyword in the heading with a general warning symbol.
- The hazard is also highlighted using a symbol in the page margin.

CAUTION

Working or operating procedures which must be closely observed to prevent possible minor personal injury.

- The safety information includes the "CAUTION" keyword in its heading with a general warning symbol.
- The risk is explained using a symbol on the edge of the page.

CAUTION

Working and operating procedures which must be followed precisely to avoid damaging or destroying the product.

- The safety information includes the "CAUTION" keyword in its heading without a general warning symbol.
- The hazard is explained using a symbol at the edge of the page.

NOTE

Special technical points which users must observe.

- Notes include the "NOTE" keyword in the heading without a general warning symbol.

Instructions and lists detailing step-by-step actions for given situations can be recognised via bullet points, e.g.:

- Insert the welding current lead socket into the relevant socket and lock.

2.2 Explanation of icons

Symbol	Description
	Press
	Do not press
	Turn
	Switch
	Switch off machine
	Switch on machine
	ENTER (enter the menu)
	NAVIGATION (Navigating in the menu)
	EXIT (Exit the menu)
	Time display (example: wait 4s/press)
	Interruption in the menu display (other setting options possible)
	Tool not required/do not use
	Tool required/use

2.3 General

DANGER



Do not carry out any unauthorised repairs or modifications!

To avoid injury and equipment damage, the unit must only be repaired or modified by specialist, skilled persons!

The warranty becomes null and void in the event of unauthorised interference.

- Appoint only skilled persons for repair work (trained service personnel)!

WARNING



Risk of accidents if these safety instructions are not observed!

Non-observance of these safety instructions is potentially fatal!

- Carefully read the safety information in this manual!
- Observe the accident prevention regulations in your country.
- Inform persons in the working area that they must observe the regulations!



Validity of this document!

This document is only valid in combination with the operating instructions for the power source being used (welding machine)!

- Read the operating instructions, in particular the safety instructions for the power source (welding machine)!

CAUTION



Obligations of the operator!

The respective national directives and laws must be observed for operation of the machine!

- National implementation of the framework directive (89/391/EEG), as well as the associated individual directives.
- In particular, directive (89/655/EEG), on the minimum regulations for safety and health protection when staff members use equipment during work.
- The regulations regarding work safety and accident prevention for the respective country.
- Setting up and operating the machine according to IEC 60974-9.
- Check at regular intervals that users are working in a safety-conscious way.
- Regular checks of the machine according to IEC 60974-4.

2.4 Transport and installation

WARNING



Improper work carried out!

In the event of improper work carried out on the display stand, the display stand may lose stability, tip over and result in serious injury!

- Only use the construction and fitting parts supplied!
- Do not load the display stand without reinforcement panels affixed!



Improperly secured equipment!

Equipment, equipment combinations and accessories incorrectly fastened onto transport systems can tip over during transport and cause injuries!

- Only use the original parts supplied to fasten the equipment.
- Use the systems only for transporting the machines given in the "Intended use" chapter.
- Check the fixing points before each transport and at regular intervals.

CAUTION



Damage due to supply lines not being disconnected!

During transport, supply lines which have not been disconnected (mains supply leads, control leads, etc.) may cause hazards such as connected equipment tipping over and injuring persons!

- Disconnect supply lines!



Risk of tipping!

When moving or setting up, the transport vehicle can tip over and injure persons or become damaged.

- Move or set up the machine on level, firm surfaces.
- Secure add-on parts using suitable equipment.
- Replace damaged transport rollers and their fixing elements.

NOTE

 The warning signs are illustrated with different machines.

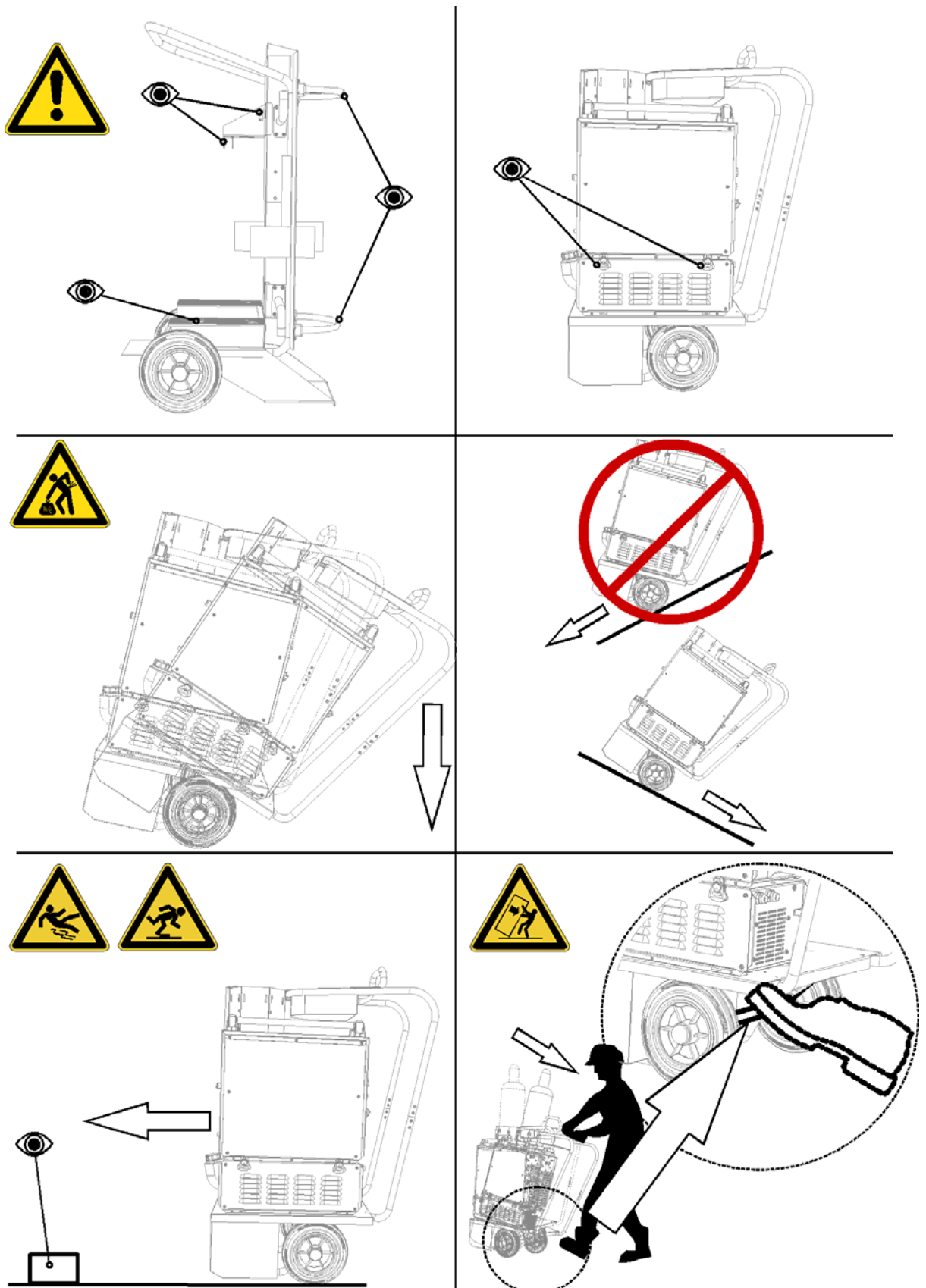


Figure 2-1

3 Intended use

WARNING



Hazards due to improper usage!

Hazards may arise for persons, animals and material objects if the equipment is not used correctly. No liability is accepted for any damages arising from improper usage!

- The equipment must only be used in line with proper usage and by trained or expert staff!
- Do not modify or convert the equipment improperly!

The TROLLY 38-2 E transport system is suitable for:

- moving the machines and combinations of machines named in the "Intended use" chapter
- if they are fixed in place properly and their attached parts are secured with suitable equipment.

Any other use of the transport systems is regarded as "improper" and no liability is assumed for any damage arising therefrom.

3.1 Transport adapter to fasten the machine

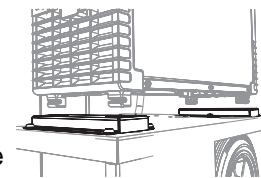
CAUTION



Risk of accidents due to improperly prepared transport vehicle!

Depending on the machine series, the transport vehicle must be adapted for securing the machines. The transport vehicle can tip over and injure persons if it is not adapted.

- Use transport vehicle with transport adapters for machines with square feet.
- Remove transport adapters for machines with round feet.



Only for transporting the following machines and combinations of machines.

3.1.1 Machines with transport adapter

	cool 40 U31
Picotig 190 AC/DC	<input checked="" type="checkbox"/>
Picotig 230 DC	<input checked="" type="checkbox"/>
Picotig 230 AC/DC	<input checked="" type="checkbox"/>
TRITON 190 AC/DC	<input checked="" type="checkbox"/>
TRITON 230 DC	<input checked="" type="checkbox"/>
TRITON 230 AC/DC	<input checked="" type="checkbox"/>
Tetrix 230	<input checked="" type="checkbox"/>
Tetrix 230 AC/DC	<input checked="" type="checkbox"/>
Tetrix 270 AC/DC	<input checked="" type="checkbox"/>
TETRIX 270	<input checked="" type="checkbox"/>

possible

not possible

3.1.2 Machines without transport adapter

	cool 25 U31	cool 30 U20	cool 35 U30 / cool 35 U31
PICOTIG 180 AC/DC	<input checked="" type="checkbox"/>	<input type="checkbox"/>	<input type="checkbox"/>
PICOTIG 220 DC	<input checked="" type="checkbox"/>	<input type="checkbox"/>	<input type="checkbox"/>
PICOTIG 220 AC/DC	<input checked="" type="checkbox"/>	<input type="checkbox"/>	<input type="checkbox"/>
TRITON 180 AC/DC	<input checked="" type="checkbox"/>	<input type="checkbox"/>	<input type="checkbox"/>
TRITON 220 DC	<input checked="" type="checkbox"/>	<input type="checkbox"/>	<input type="checkbox"/>
TRITON 220 AC/DC	<input checked="" type="checkbox"/>	<input type="checkbox"/>	<input type="checkbox"/>
TRITON 260	<input type="checkbox"/>	<input checked="" type="checkbox"/>	<input checked="" type="checkbox"/>
Tetrix 300 DC	<input type="checkbox"/>	<input type="checkbox"/>	<input checked="" type="checkbox"/>
Tetrix 300 AC/DC	<input type="checkbox"/>	<input type="checkbox"/>	<input checked="" type="checkbox"/>

possible

not possible

4 Machine description – quick overview

4.1 Trolley 38-2 E

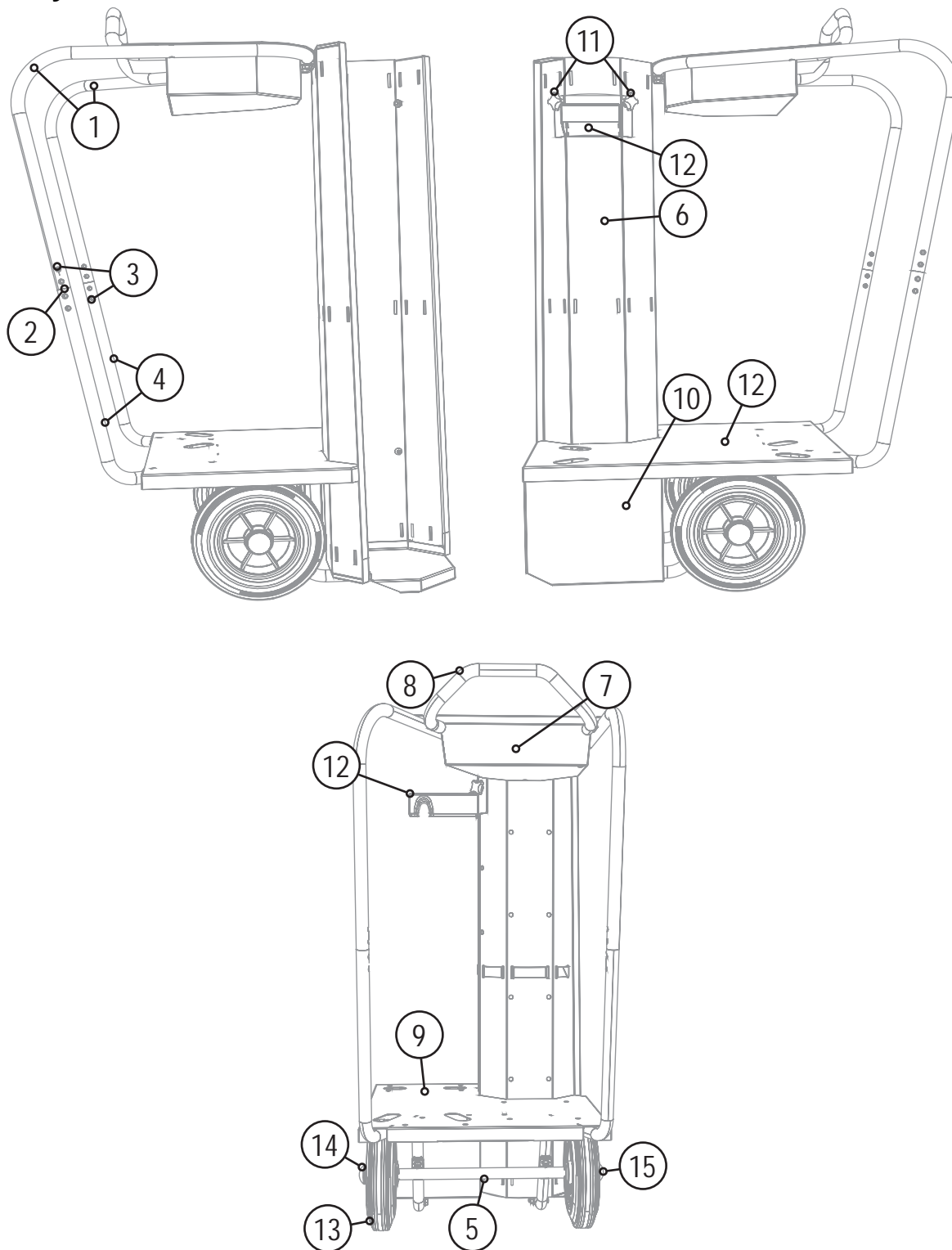


Figure 4-1

Item	Symbol	Description
1		Supporting bar, upper
2		Connecting bolts (not visible)
3		Setscrew M8 x 20 mm
4		Supporting bar, lower
5		Axle
6		Gas cylinder holder
7		Tool rest
8		Grip bar
9		Machine carrier plate
10		Accessory compartment
11		Mounting screws, star handle, M8 x 20 mm
12		Machine holder
13		Wheel 250 x 60
14		Washer, M24
15		Cap, wheel fastening

5 Design and function

5.1 Fitting the system components

5.1.1 Fitting the transport adapters

CAUTION



Risk of accidents due to improperly prepared transport vehicle!
Depending on the machine series, the transport vehicle must be adapted for securing the machines. The transport vehicle can tip over and injure persons if it is not adapted.

- Use transport vehicle with transport adapters for machines with square feet.
- Remove transport adapters for machines with round feet.

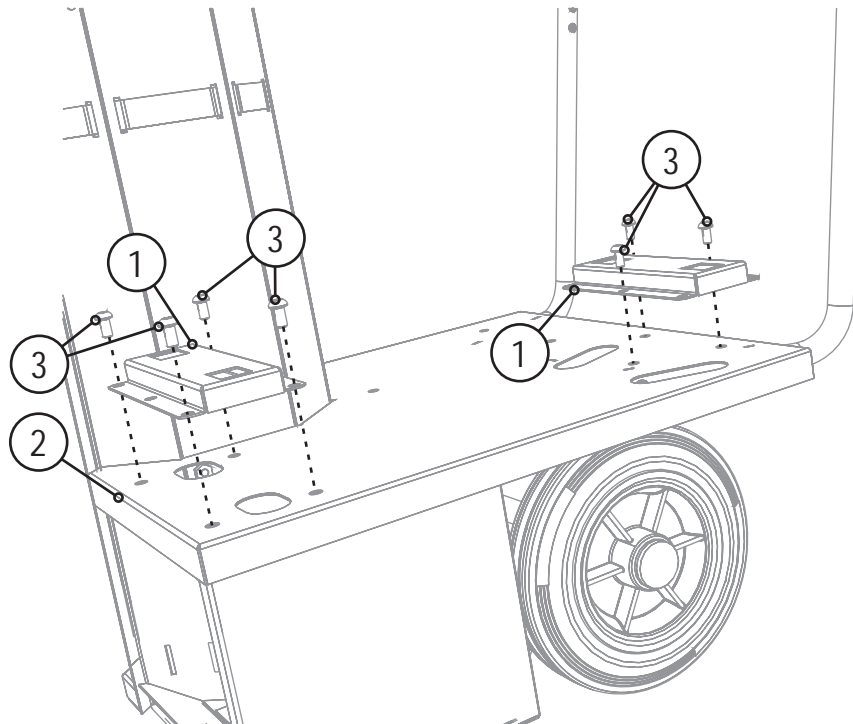
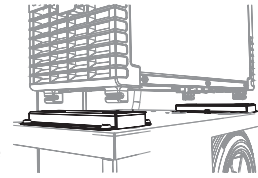


Figure 5-1

Item	Symbol	Description
1		Transport adapters
2		Machine carrier plate
3		Tallow-drop hexagon screw M8x10

- Fix the transport adapters to the machine carrier plate using the supplied hexagon screws.

5.1.2 Fixing the welding machine

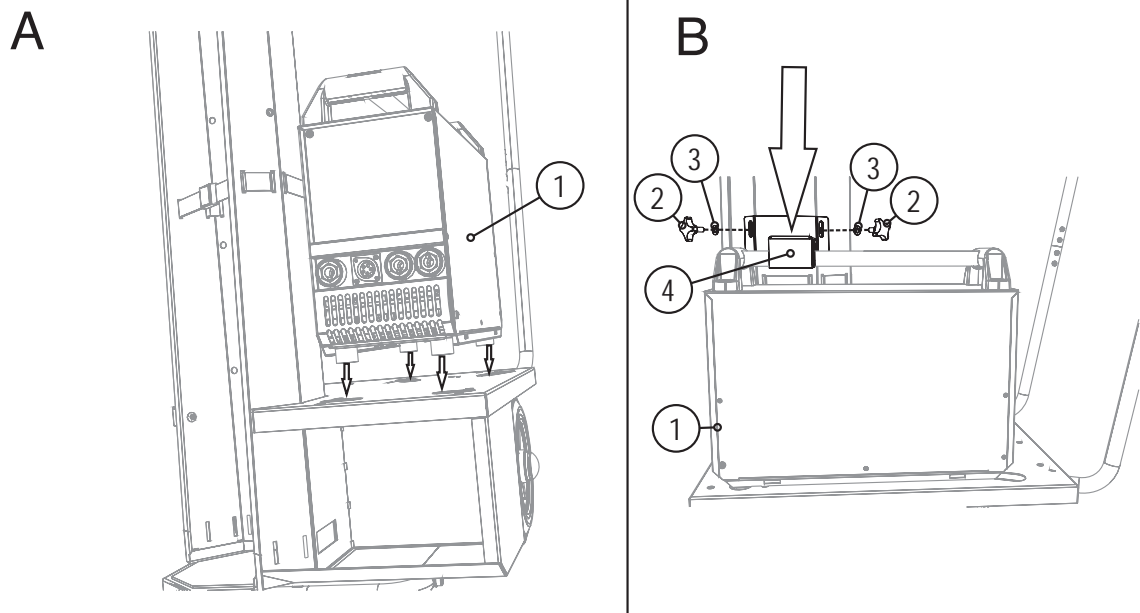


Figure 5-2

Item	Symbol	Description
1		Power source
2		Star handle M8x20
3		Plain washer M8
4		Hold-down fitting for welding machine

- Place the welding machine with its feet in the holes provided.
- Lower machine hold-down fitting onto the handle of the power source.
- Secure the machine hold-down fitting using star handles.

5.1.3 Fixing a welding machine with cooling module

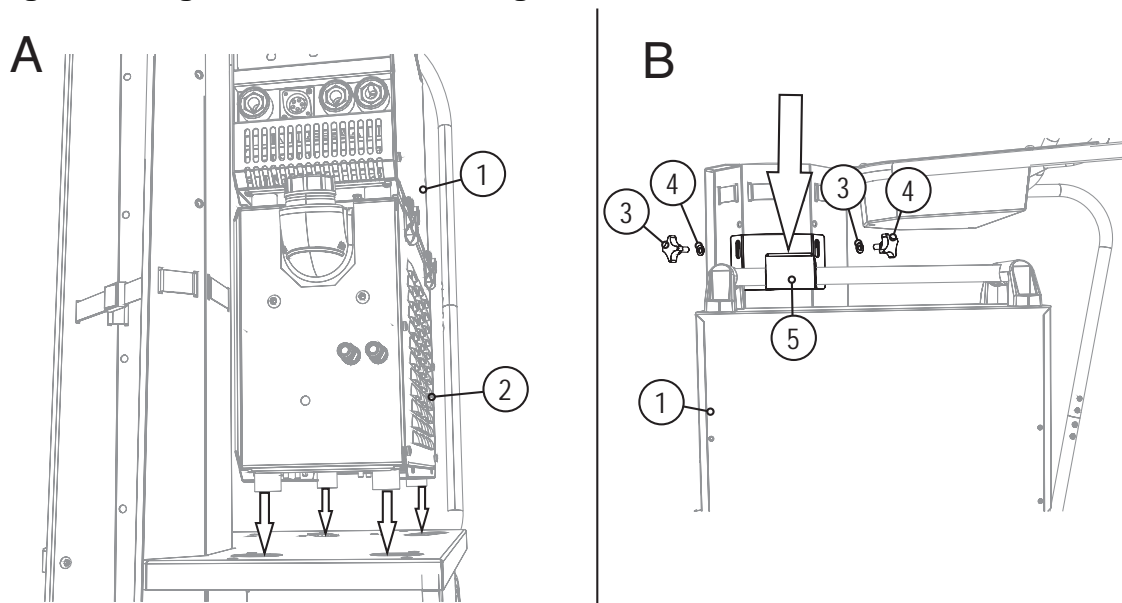


Figure 5-3

Item	Symbol	Description
1		Power source
2		Cooling unit
3		Star handle M8x20
4		Plain washer M8
5		Hold-down fitting for welding machine

- Place the cooling module with its feet in the holes provided.
- Fix the welding machine to the cooling module with snap-fit or screw closures. (See operating instructions for cooling module/power source)
- Lower machine hold-down fitting onto the handle of the power source.
- Secure the machine hold-down fitting using star handles.

5.2 Fixing and securing shielding gas cylinders

⚠ DANGER

⚠ Risk of injury caused by shielding gas cylinders toppling over!
Shielding gas cylinders may topple over and cause serious injury if not adequately secured!

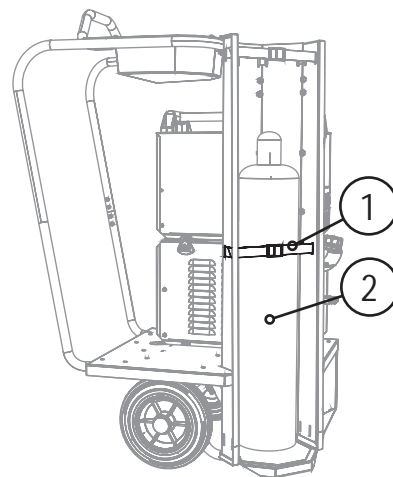
- Secure shielding gas cylinders with the securing device (chain/strap) supplied as standard with the machine!
- Securing devices must fit tightly around the cylinder!
- The strap or chain must be fitted to the upper half of the shielding gas cylinders!
- Cylinders may not be secured at the valve!

⚠ WARNING

⚠ Incorrect handling of shielding gas cylinders!
Incorrect handling of shielding gas cylinders can result in serious and even fatal injury.

- Observe the instructions from the gas manufacturer and in any relevant regulations concerning the use of compressed air!
- Place shielding gas cylinders in the holders provided for them and secure with fixing devices.
- Avoid heating the shielding gas cylinder!

A



B

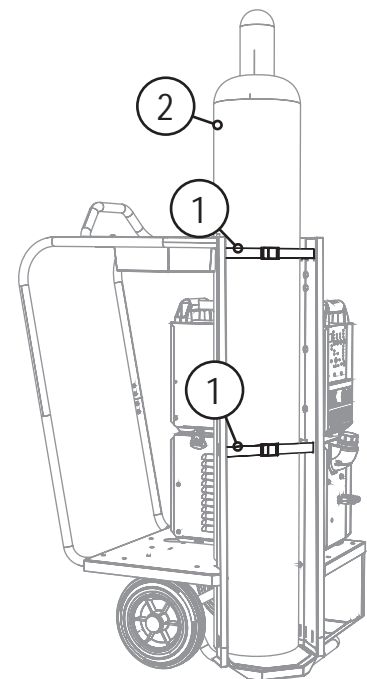


Figure 5-4

Item	Symbol	Description
1		Straps
2		Shielding gas cylinder
3		Shielding gas cylinder holder Carrier plate for the shielding gas cylinder

Both large and small shielding gas cylinders can be moved with the transport system.

- Open the tension closures on the straps.
- Place the shielding gas cylinder on the retainer.
- Secure the shielding gas cylinder with the straps.

- Fasten the straps using the tension closures.
- Make sure that the straps fit securely around the gas cylinder.

5.3 Using the transport system

WARNING



Improperly secured equipment!

Equipment, equipment combinations and accessories incorrectly fastened onto transport systems can tip over during transport and cause injuries!

- Only use the original parts supplied to fasten the equipment.
- Use the systems only for transporting the machines given in the "Intended use" chapter.
- Check the fixing points before each transport and at regular intervals.

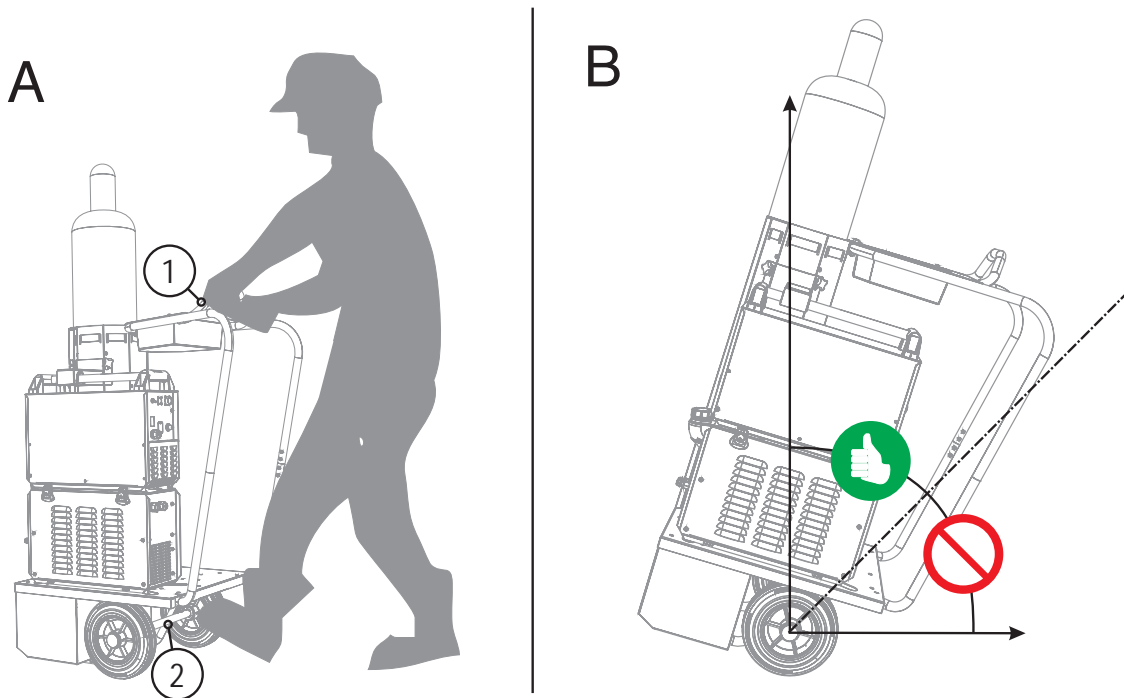


Figure 5-5

Item	Symbol	Description
1		Carrying handle
2		Foot bar

- Hold the transport vehicle by the transport handle.
- Secure the transport vehicle with your foot on the foot bar.
- Tilt the transport vehicle at an angle of 40° to move it.

6 Maintenance, care and disposal

6.1 General

When used in the specified environmental conditions and under normal operating conditions, this machine is largely maintenance-free and requires a minimum of care.

There are some points which should be observed to guarantee fault-free operation of your welding machine. These include regular cleaning and inspection as described below, depending on the degree of soiling in the surroundings and how long the transport vehicle is in use.

6.2 Maintenance work, intervals

6.2.1 Daily maintenance tasks

- Gas cylinder securing elements
- Other, general condition
- Keep moving parts clean.
- Transport rollers and their securing elements
- Transport elements (strap, lifting lugs, handle)

6.2.2 Monthly maintenance tasks

- Tighten the screw connections.
- Check bearings for damage.
- Service at regular intervals and check for errors.

6.3 Repair Work



DANGER



Do not carry out any unauthorised repairs or modifications!

To avoid injury and equipment damage, the unit must only be repaired or modified by specialist, skilled persons!

The warranty becomes null and void in the event of unauthorised interference.

- Appoint only skilled persons for repair work (trained service personnel)!

Repair and maintenance work may only be performed by qualified authorised personnel; otherwise the right to claim under warranty is void. In all service matters, always consult the dealer who supplied the machine. Return deliveries of defective equipment subject to warranty may only be made through your dealer. When replacing parts, use only original spare parts. When ordering spare parts, please quote the machine type, serial number and item number of the machine, as well as the type designation and item number of the spare part.

6.4 Disposing of equipment

NOTE



Proper disposal!

The machine contains valuable raw materials, which should be recycled, and electronic components, which must be disposed of.

- Do not dispose of in household waste!
- Observe the local regulations regarding disposal!



6.4.1 Manufacturer's declaration to the end user

- According to European provisions (guideline 2002/96/EG of the European Parliament and the Council of January, 27th 2003), used electric and electronic equipment may no longer be placed in unsorted municipal waste. It must be collected separately. The symbol depicting a waste container on wheels indicates that the equipment must be collected separately.
This machine is to be placed for disposal or recycling in the waste separation systems provided for this purpose.
- According to German law (law governing the distribution, taking back and environmentally correct disposal of electric and electronic equipment (ElektroG) from 16.03.2005), used machines are to be placed in a collection system separate from unsorted municipal waste. The public waste management utilities (communities) have created collection points at which used equipment from private households can be disposed of free of charge.
- Information about giving back used equipment or about collections can be obtained from the respective municipal administration office.
- EWM participates in an approved waste disposal and recycling system and is registered in the Used Electrical Equipment Register (EAR) under number WEEE DE 57686922.
- In addition to this, returns are also possible throughout Europe via EWM sales partners.

6.5 Meeting the requirements of RoHS

We, EWM HIGHTEC Welding GmbH Mündersbach, hereby confirm that all products supplied by us which are affected by the RoHS Directive, meet the requirements of the RoHS (Directive 2002/95/EC).

7 Technical data

7.1 Trolley 38-2 E

Dimensions (LxWxH) in mm	818 x 533 x 1233
Weight without accessories	approx. 35 kg
Constructed to standard	IEC 60974-1

8 Appendix A

8.1 Overview of EWM branches

EWM HIGHTEC WELDING GmbH

Dr. Günter-Henle-Straße 8
56271 Mündersbach
Germany
Tel: +49 2680 181-0 · Fax: -244
www.ewm-group.com · info@ewm-group.com

EWM Schweißtechnik-Handels-GmbH
In der Florinskaul 14-16
56218 Mülheim-Kärlich · Germany
Tel: +49 261 988898-0 · Fax: -20
www.ewm-group.com/handel · nl-muelheim@ewm-group.com

EWM HIGHTEC WELDING GmbH
Branch Seesen
Lindenstraße 1a
38723 Seesen-Rhüden · Germany
Tel: +49 5384 90798-0 · Fax: -20
www.ewm-group.com/handel · nl-seesen@ewm-group.com

EWM HIGHTEC WELDING Sales s.r.o.
Prodejní a poradenské centrum
Tyršova 2106
256 01 Benešov u Prahy · Czech Republic
Tel: +420 317 729-517 · Fax: -712
www.ewm-group.com/cz · sales.cz@ewm-group.com

EWM HIGHTEC WELDING GmbH
Fichtenweg 1
4810 Gmunden · Austria
Tel: +43 7612 778 02-0 · Fax: -20
www.ewm-group.com/at · info.at@ewm-group.com

EWM HIGHTEC WELDING FZCO
Regional Office Middle East
JAFZA View 18 F 14 05 · P.O. Box 262851
Jebel Ali Free Zone · Dubai · United Arab Emirates
Tel: +971 4 8810-592 · Fax: -593
www.ewm-group.com/me · info.me@ewm-group.com

EWM Schweißtechnik-Handels-GmbH
Sachsstraße 28
50259 Pulheim · Germany
Tel: +49 2234 697-047 · Fax: -048
www.ewm-group.com/handel · nl-koeln@ewm-group.com

EWM Schweißtechnik Handels GmbH
Heinkelstraße 8
89231 Neu-Ulm · Germany
Tel: +49 731 7047939-0 · Fax: -15
www.ewm-group.com/handel · nl-ulm@ewm-group.com

EWM HIGHTEC WELDING s.r.o.
Tr. 9. května 718 / 31
407 53 Jiříkov · Czech Republic
Tel: +420 412 358-551 · Fax: -504
www.ewm-group.com/cz · info.cz@ewm-group.com

EWM HIGHTEC WELDING UK Ltd.
Unit 2B Coopies Way
Coopies Lane Industrial Estate
Morpeth · Northumberland · NE61 6JN · Great Britain
Tel: +44 1670 505875 · Fax: -514305
www.ewm-group.com/uk · info.uk@ewm-group.com

EWM HIGHTEC WELDING (Kunshan) Ltd.
10 Yuanshan Road, Kunshan
New & High-tech Industry Development Zone
Kunshan · Jiangsu · 215300 · People's Republic of China
Tel: +86 512 57867-188 · Fax: -182
www.ewm-group.com/cn · info.cn@ewm-group.com